

— Assembly and Safe Use Manual —

T-REX SPORT

BA893G, BA893U, BA893GS



Customer Service
(800) 247-7668

PARTS LIST					
Item	Qty	Description	Item	Qty	Description
A	1	Portable Base Assembly	Q	4	3/8" Hex Flange Nut (Packaged with Goal)
B	2	Floor Pad	R	4	3/8" Flat Washer(Packaged with Goal)
C	4	Shim	S	1	Height Gauge
D	2	1/2" x 4" Hex Bolt	T	1	Pointer
E	2	1/2" x 2-1/2" Hex Bolt	U	2	1/4" x 1" Hex Bolt
F	4	1/2" Hex Nut	V	3	1/4" Flange Nut
G	6	1/2" Flat Washer	W	1	Weight Box Lid
H	4	1/2" Lock Washer	X	4	#12-14 x 3/4" Hex Washer Head Sheet Metal Screws
I	20	4"x8"x16" Solid Concrete Cap Block (Not Provided)	Y	1	Crank Handle
J	1	Backboard (BA487, BA487SM, or BA487U)	Z	1 set	Pads (Front, Left, Right, Upright)
K	4	5/16" x 1" Phillips Drive Button Head Screw	AA	9	Padding Bracket
L	4	5/16" Hex Nut	BB	18	1/4" x 3/4" Phillips Drive Flat Head Screw
M	4	5/16" Flat Washer	CC	1	Spring Cover
N	4	5/16" Lock Washer	DD	1	Backboard Padding Kit (BA60U-BK)
O	1	Goal	EE	1	Transport Dolly
P	4	3/8" x 2-1/2" Hex Bolt (Packaged with Goal)			

Warning!

Do not begin assembly of unit without all 20 of the 4"x8"x16" Solid Concrete Cap Blocks (I) available to install. This unit could tip over and cause serious injury, or death, if the Uprights are raised without Solid Concrete Cap Blocks (I) installed.

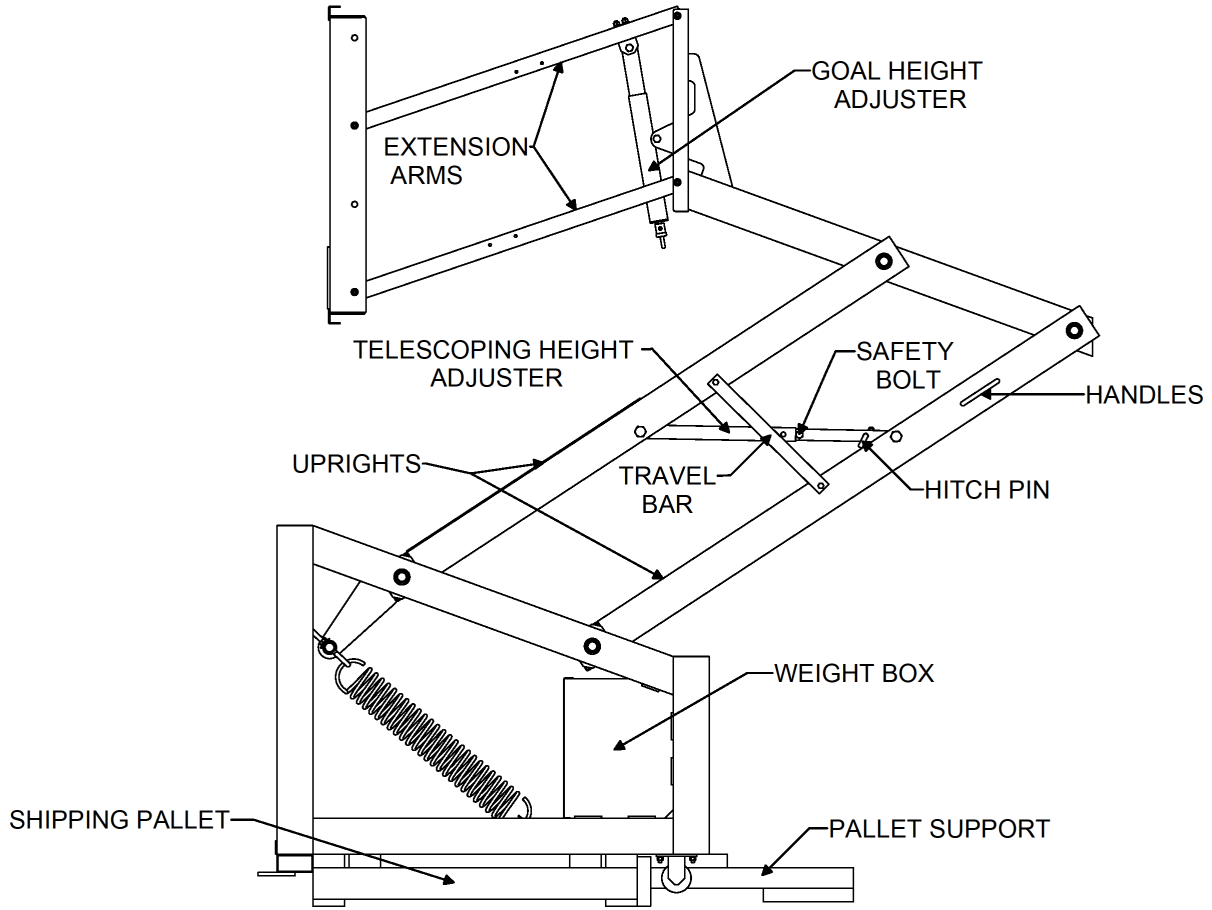
Do not remove the Safety Bolt until the Backboard (J) and Goal (O) installation is complete.

This unit is under extreme spring tension and severe injury and damage will result.

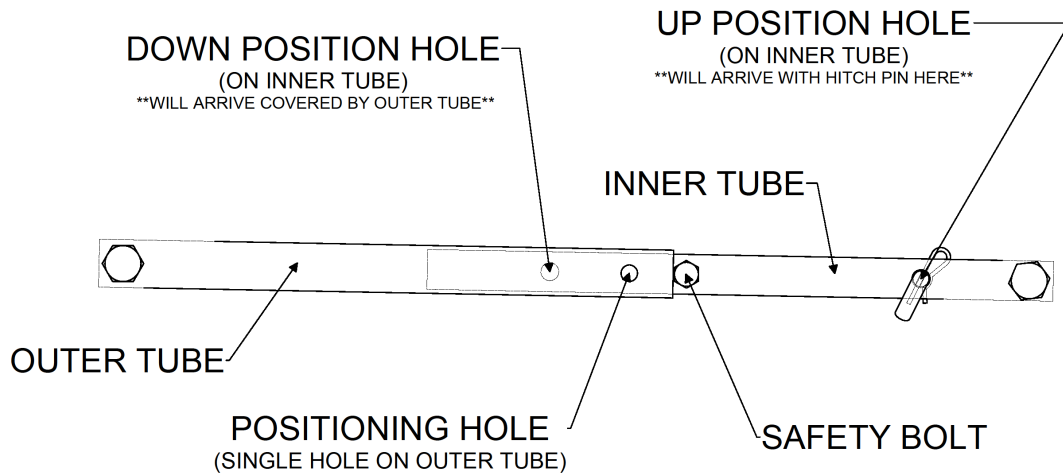
While gym floor installers and refinishers often indicate floors are OK to walk or play on in 7-10 days after oil based polyurethane finishes are applied, in reality, it can actually take up to 30 days for all the chemicals in the polyurethane to dissipate. Chemical reactions between the floor finish and certain materials including urethane feet contacting the floor can cause permanent discoloration. Placement of this product on floors prior to the 30-day final cure period may risk discoloration that would not be covered by the manufacturer's warranty.

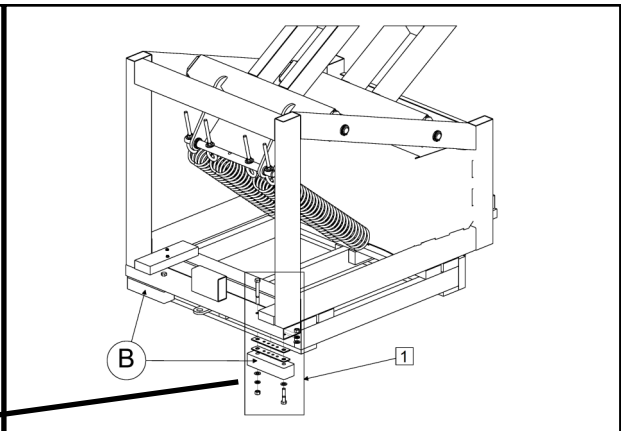
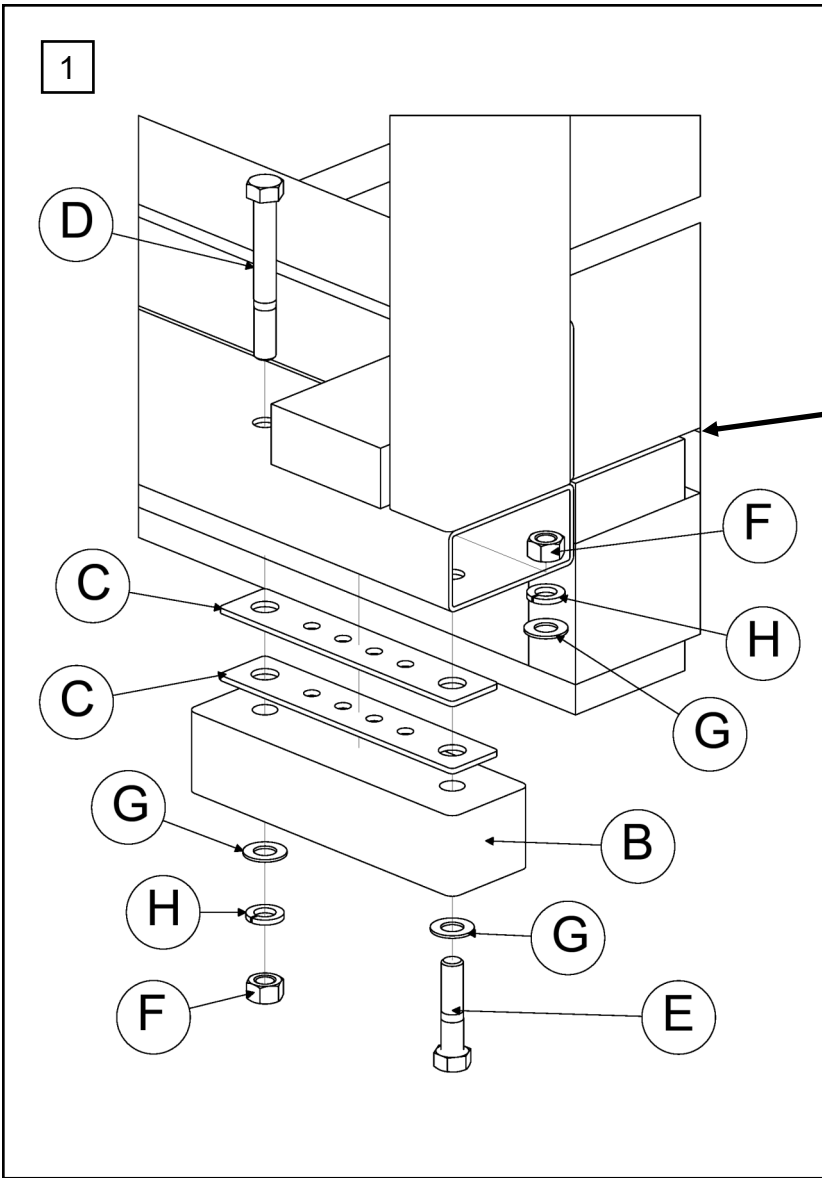
- ◆ Inspect all contents prior to installation. Report any missing parts to dealer immediately.
- ◆ Carefully read all instructions before proceeding. Pay special attention to all safety instructions.
- ◆ Save this instruction in the event that the manufacturer must be contacted in the future for maintenance information

PORTABLE BASE ASSEMBLY (A)



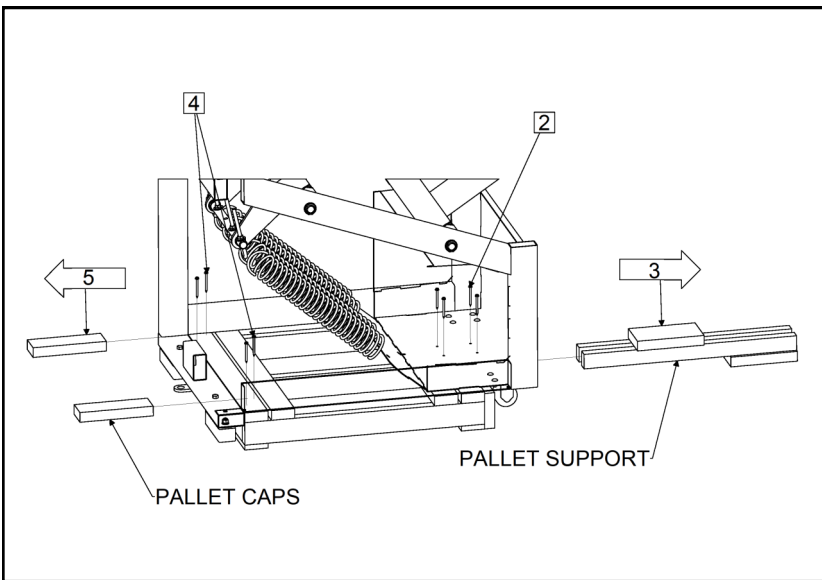
TELESCOPING HEIGHT ADJUSTER (SHOWN IN SHIPPING POSITION)



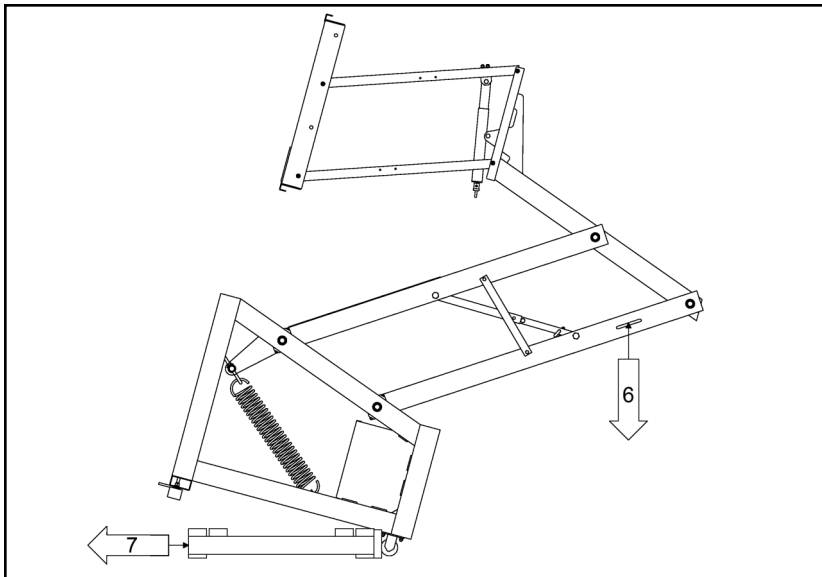


1) While the *Portable Base Assembly (A)* is still on the *Shipping Pallet*, use the hardware provided (D-H) to install both *Floor Pads (B)* using two *Shims (C)* each.

If unit must be transported through a low clearance door before assembly, skip to Step 31 on Page 9



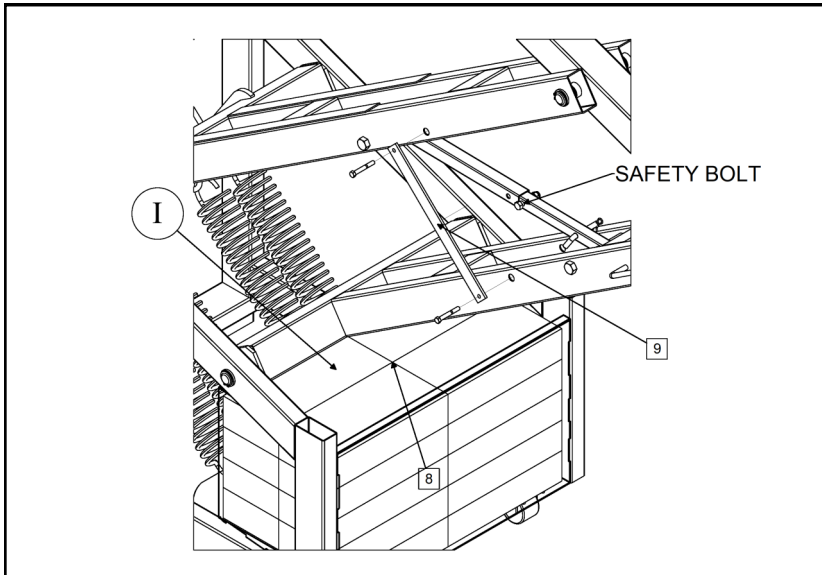
- 2) Remove four Hex Drive Wood Screws from inside *Weight Box*.
- 3) Slide out *Pallet Support*.
- 4) Remove four Hex Drive Wood Screws from *Pallet Caps*.
- 5) Remove *Pallet Caps*.



6) Remove the *Shipping Pallet* by tilting the *Portable Base Assembly (A)* back until the factory installed wheels contact the floor.

7) Slide out *Shipping Pallet*.

Warning!
Do not attempt with only one person.

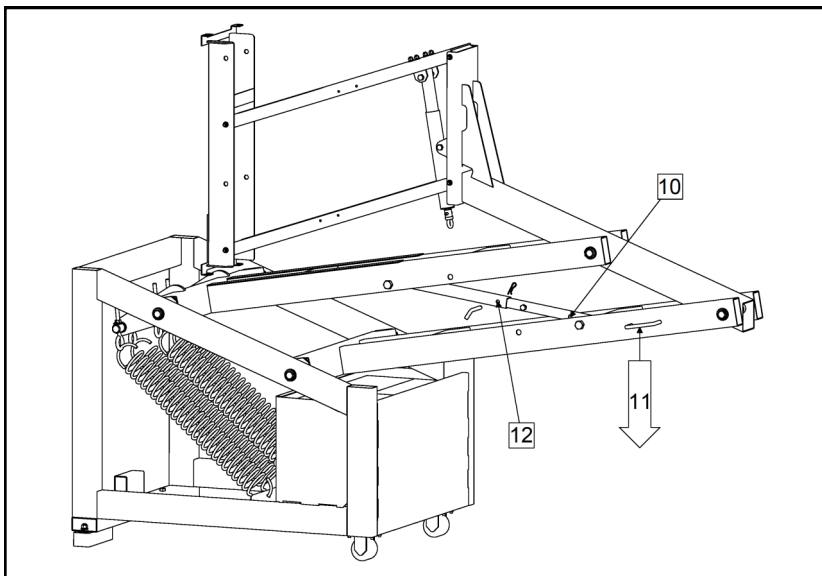


IMPORTANT

8) Add each 4"x8"x16" *Solid Concrete Cap Blocks (I)* inside the *Weight Box*. (20 total, must be stacked as shown)

Warning!
Do not remove *Travel Bar* if the *Safety Bolt* is not installed.

9) Remove *Travel Bar* bolted to *Uprights*. The *Uprights* may raise slightly until the *Outer Tube* contacts the *Safety Bolt*.

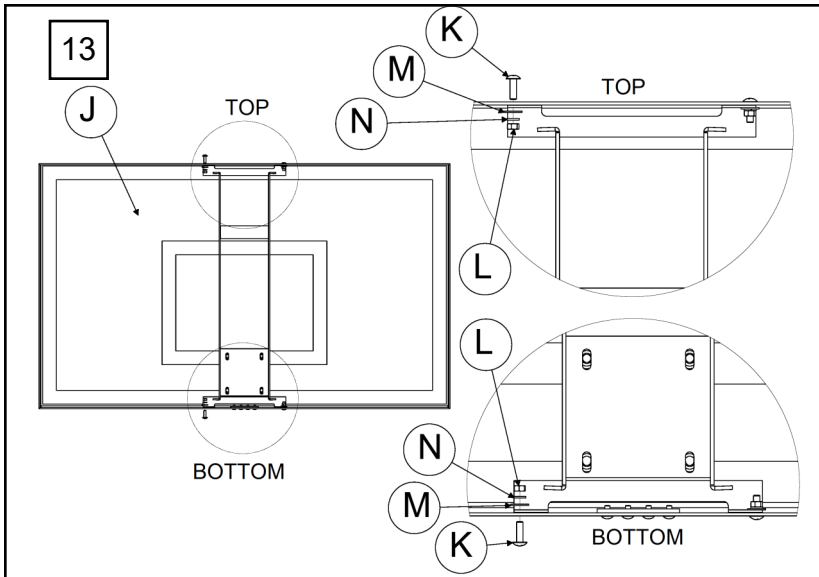


Warning!
To avoid possible tip over and serious injury, do not proceed until all *Solid Concrete Cap Blocks (I)* are installed.

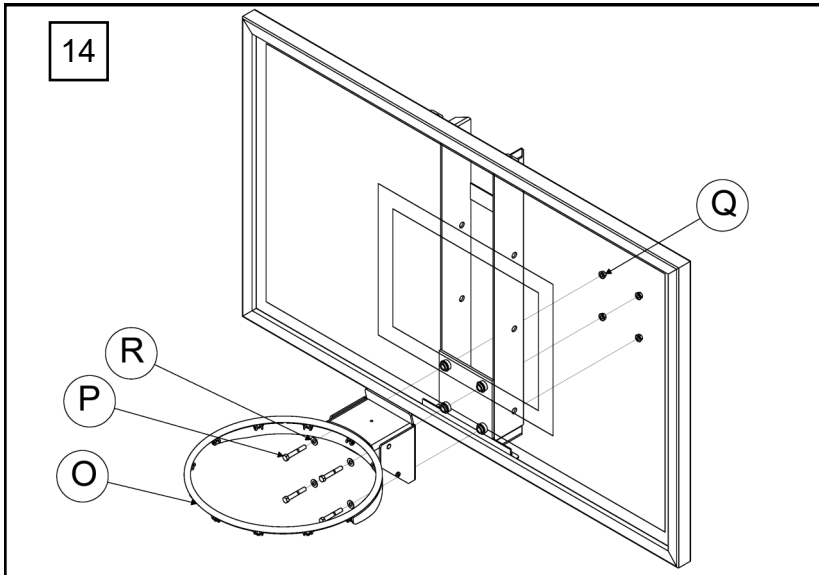
10) Remove *Hitch Pin* from *Up Position Hole*.

11) Using the *Handles*, lower the *Uprights* until the *Positioning Hole* lines up with the *Down Position Hole*.

12) Place *Hitch Pin* through both telescoping tubes.

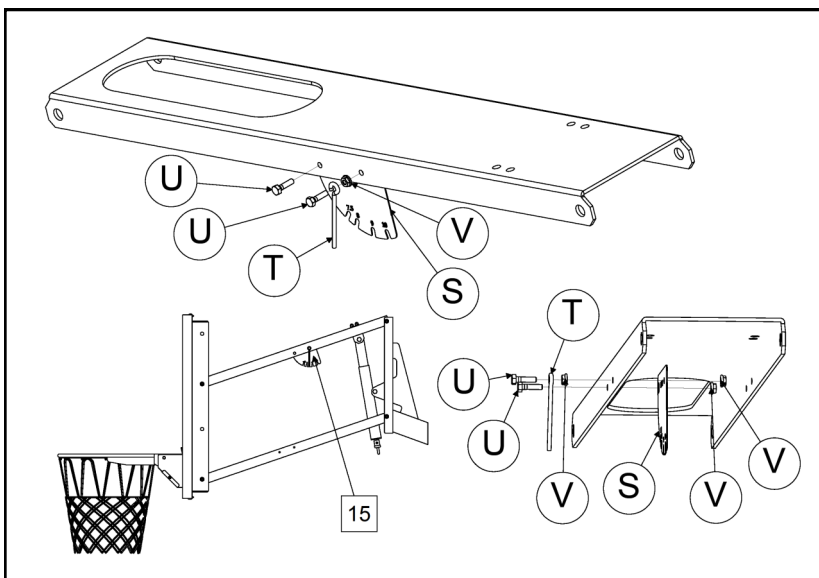


13) Install *Backboard* (J) using the supplied hardware (K-L) at each of the four locations.

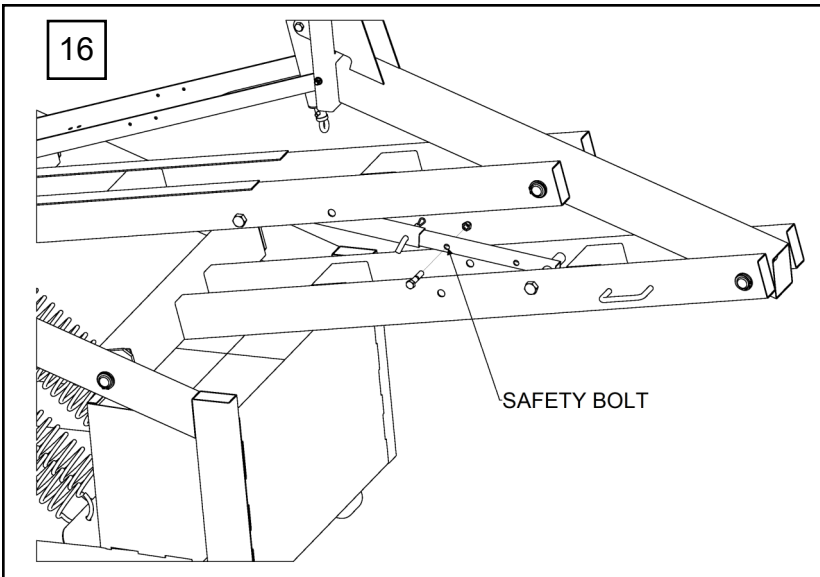


14) Install *Goal* (O) using the supplied hardware (P-R) at each of the four locations ensuring the *Goal* (O) is level.

Warning!
Make sure that the tubular spacers are installed in the four holes in the *Backboard* (J) to keep the rear of *Goal* (O) from contacting the *Backboard* (J).

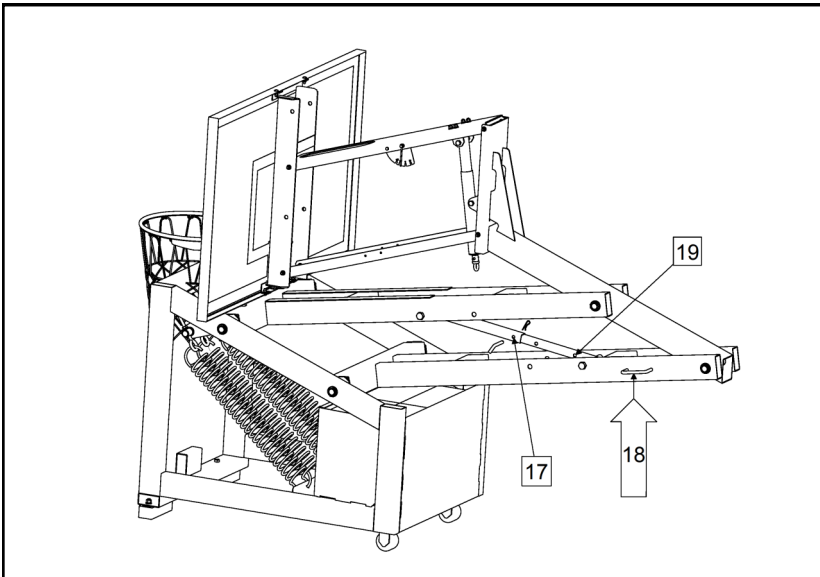


15) Attach *Height Gauge* (S) to the upper *Extension Arm* with $1/4" \times 1"$ Hex Bolt (U) and $1/4"$ Flange Nut (V) in the slotted mounting hole **finger tight**. Slide the *Pointer* (T) on the other $1/4" \times 1"$ Hex Bolt (U) and then install one $1/4"$ Flange Nut (V) against the *Pointer* (T) with just enough slack to let the *Pointer* (T) rotate freely on the $1/4" \times 1"$ Hex Bolt (U). Pass this assembly through the mounting hole in the *Extension Arm* and tighten with the remaining $1/4"$ Flange Nut (V). Only tighten the $1/4"$ Flange Nuts (V) against each other to lock this assembly in place. Ensure the *Pointer* (T) can rotate freely.



16) Remove *Safety Bolt*.

Warning!
Do not remove the *Safety Bolt* without the *Hitch Pin* securely in the *Down Position Hole*.

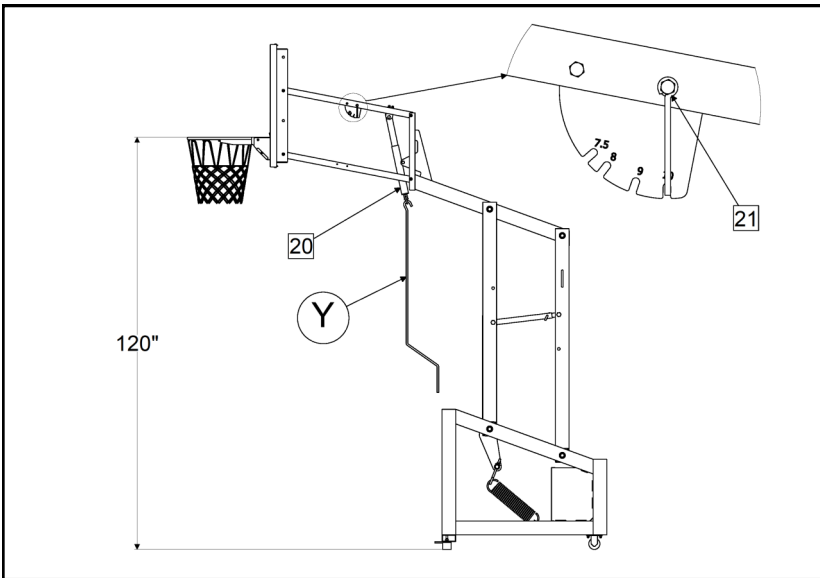


17) Remove *Hitch Pin* from *Down Position Hole*.

18) **Raise** *Uprights* and line up *Positioning Hole* with *Up Position Hole*.

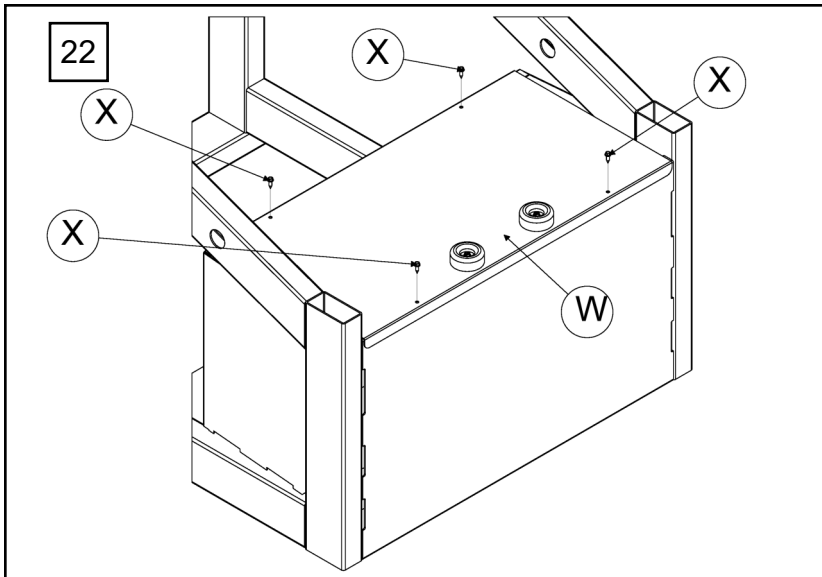
19) Place *Hitch Pin* through both telescoping tubes.

Warning!
Uprights may spring up if the *Handles* are not properly supported.

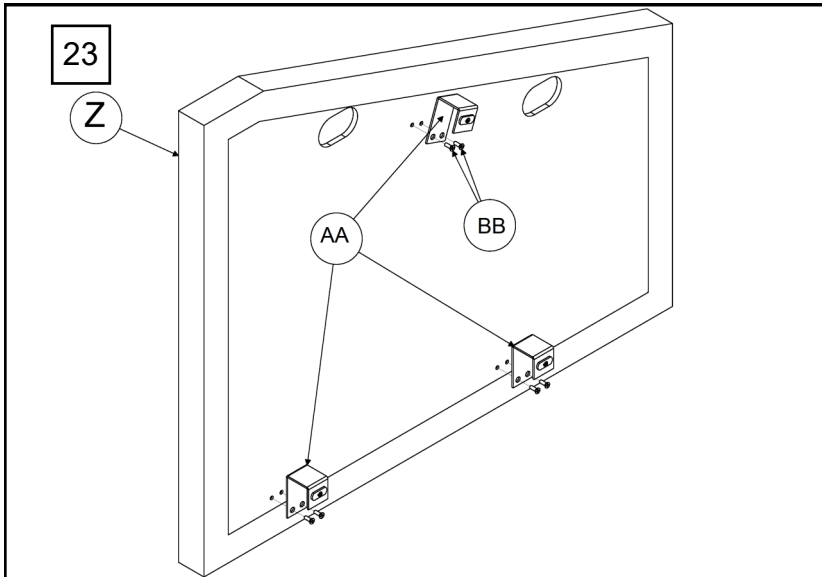


20) Using *Crank Handle* (Y), raise *Goal Height Adjuster* until the *Goal* (O) is 10ft from the playing surface.

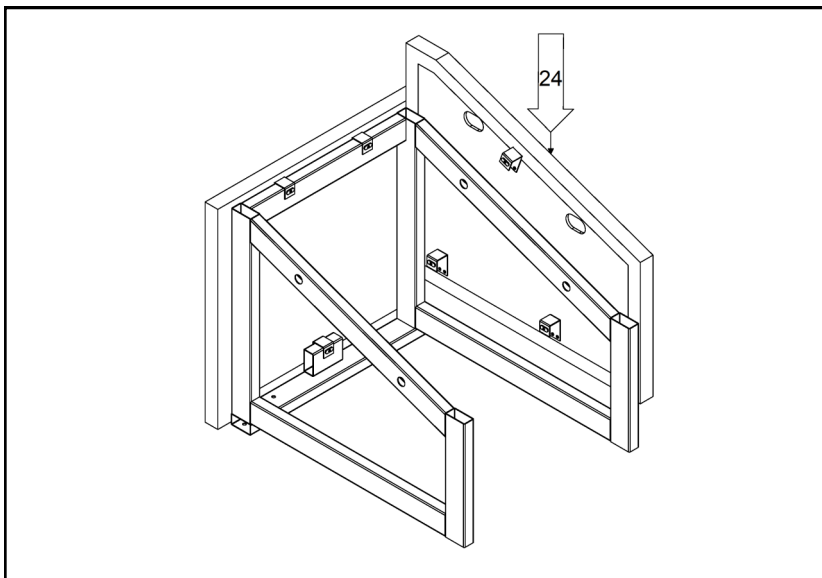
21) Adjust the *Height Gauge* (S) until the *Pointer* (T) lines up with the 10ft mark. Tighten down *Height Gauge* (S) hardware (U,V) through the slotted hole.



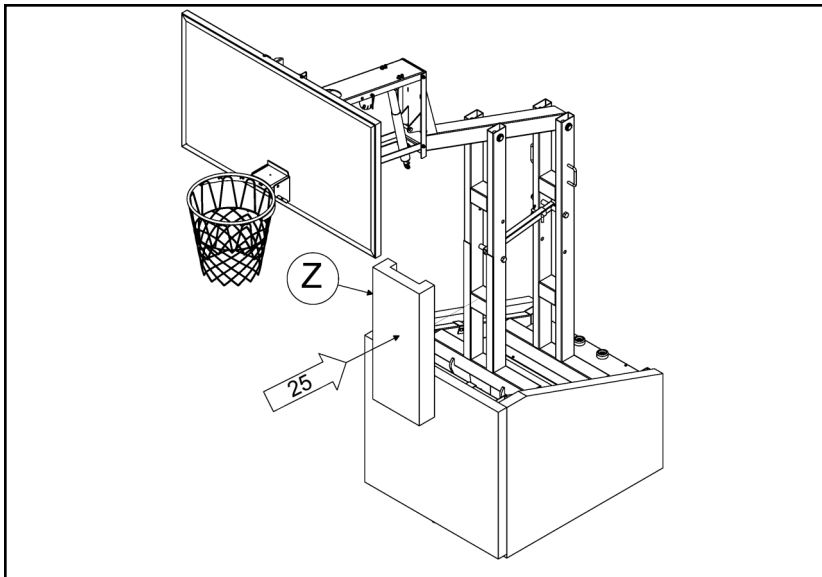
22) Install *Weight Box Lid (W)* with four #12-14 x 3/4" Hex Washer Head Sheet Metal Screws (X).



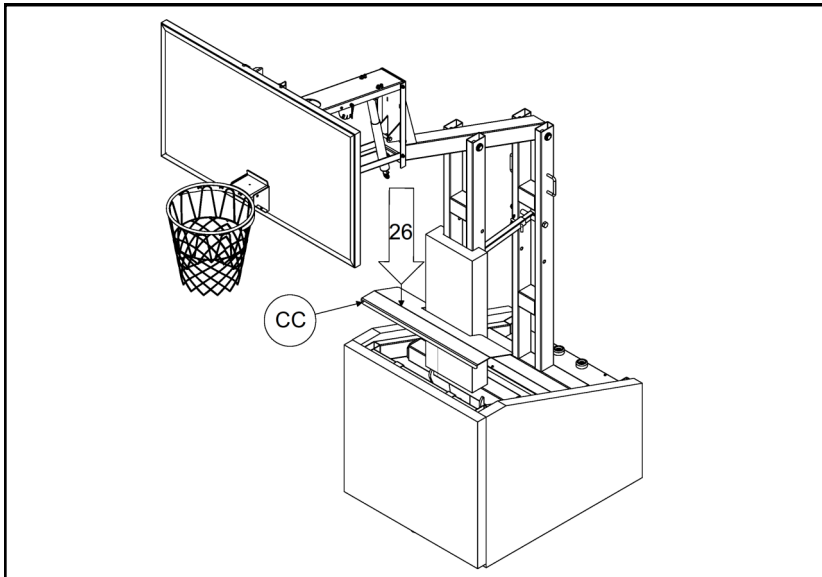
23) Install 3 *Padding Brackets (AA)* onto *Front and Side Pads (Z)* using two 1/4" x 3/4" Phillips Drive Flat Head Screws (BB) in each bracket.



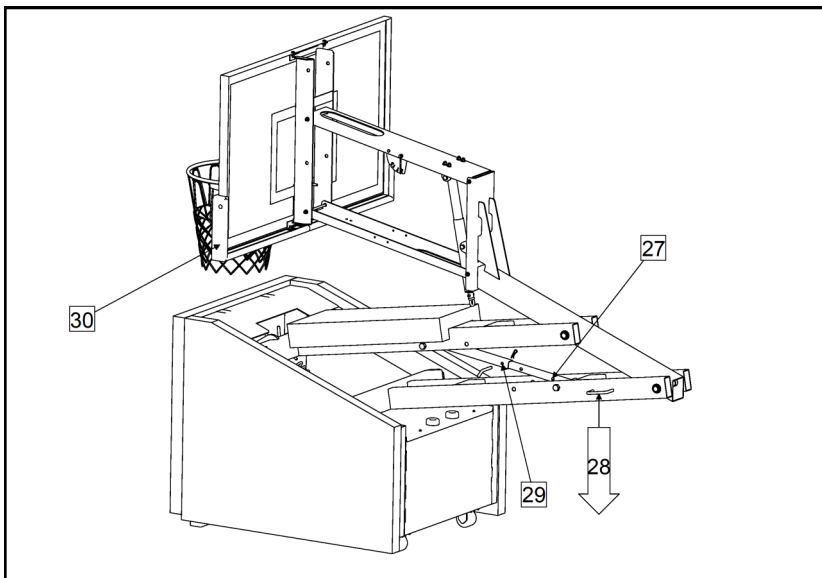
24) Install *Front and Side Pads (Z)* by hooking *Padding Brackets (AA)* onto *Portable Base Assembly (A)*. Tighten the set screws on the *Padding Brackets (AA)*.



25) Install *Upright Pad (Z)* by pressing onto the existing hook and loop strips on the front of the *Uprights*.



26) Install *Spring Cover (CC)* by hooking the front lip between the *Front Pad (Z)* and the *Portable Base Assembly (A)* and positioning the notch around *Upright Pad (Z)*.



27) Remove *Hitch Pin* from *Up Position Hole*.

28) Using the *Handles*, **lower** the *Uprights* until the *Positioning Hole* lines up with the *Down Position Hole*.

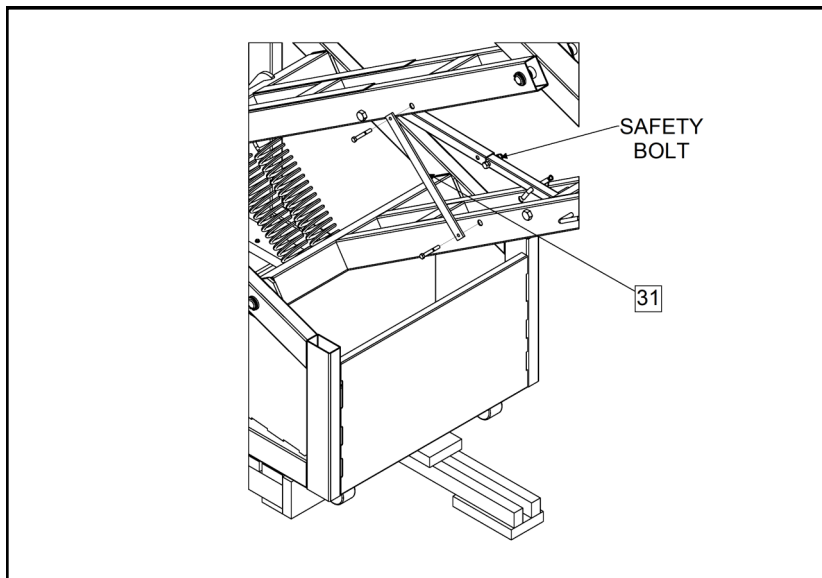
29) Place *Hitch Pin* through both tubes.

30) Refer to *Backboard Padding Installation Instructions* to install *Backboard Padding (DD)*.

****Refer to Steps 48-55 for Safe Use Instructions****

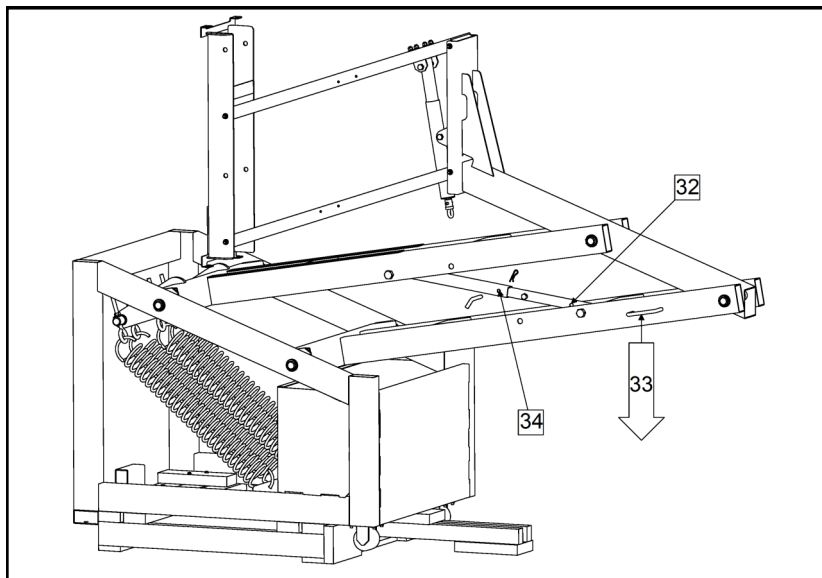
Low Clearance Assembly

For when the unit must be transported while still on the *Shipping Pallet* through doorways, hallways, etc. with a clearance height of 78".



Warning!
Do not remove *Travel Bar* if the *Safety Bolt* is not installed.

31) Remove *Travel Bar* bolted to the *Uprights*. The *Uprights* may raise slightly until the *Outer Tube* contacts the *Safety Bolt*.

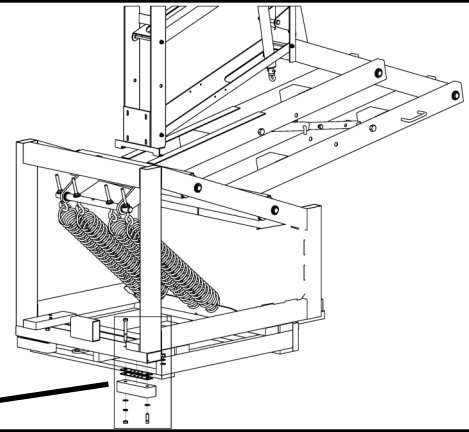
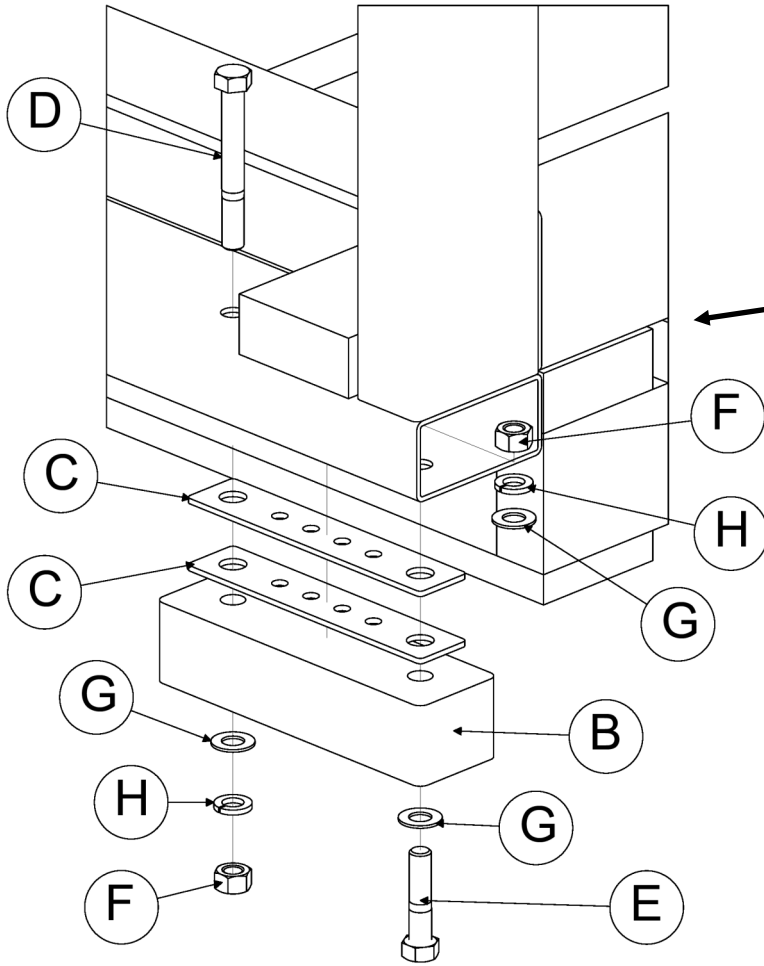


32) Remove *Hitch Pin* from *Up Position Hole*.

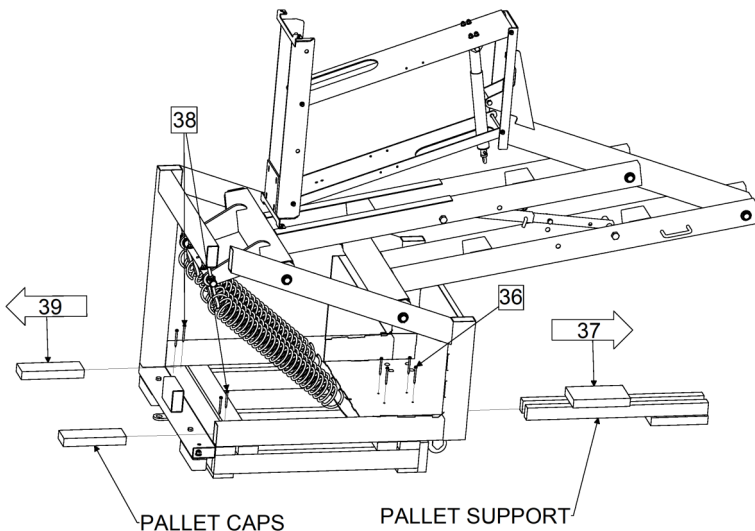
33) Using the *Handles*, **lower** the *Uprights* until the *Positioning Hole* lines up with the *Down Position Hole*.

34) Place *Hitch Pin* through both telescoping tubes.

35



35) While the *Portable Base Assembly (A)* is still on the *Shipping Pallet*, use the hardware provided (D-H) to install both *Floor Pads (B)* using two *Shims (C)* each.

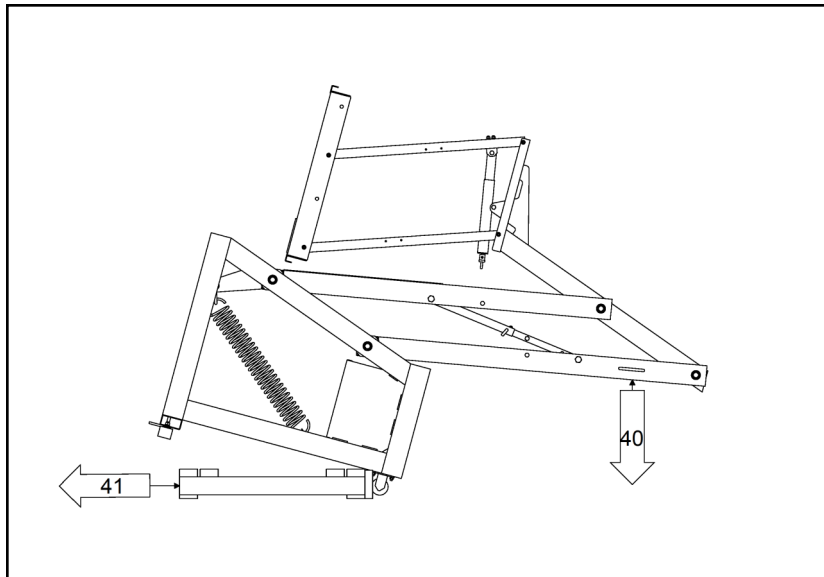


36) Remove four Hex Drive Wood Screws from inside *Weight Box*.

37) Slide out *Pallet Support*.

38) Remove four Hex Drive Wood Screws from *Pallet Caps*.

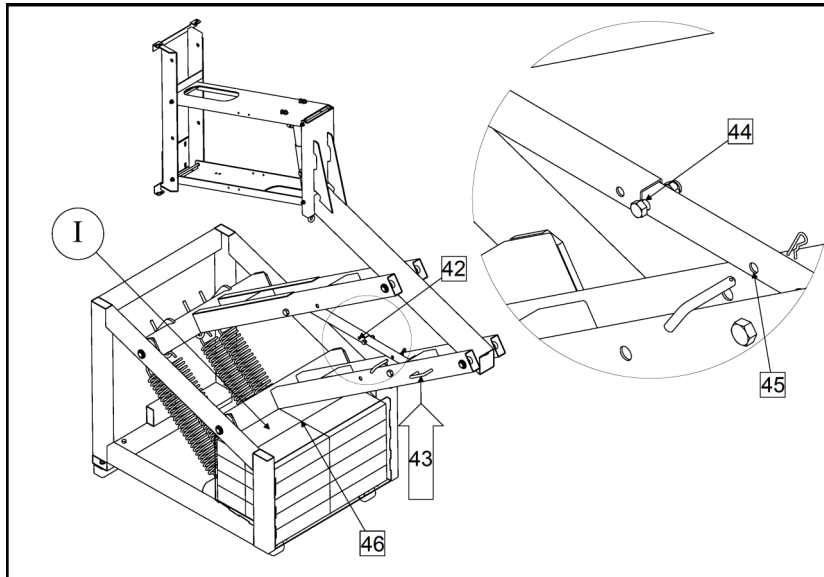
39) Remove *Pallet Caps*.



40) Remove the *Shipping Pallet* by tilting the *Portable Base Assembly (A)* back until the factory installed wheels contact the floor.

41) Slide out *Shipping Pallet*.

Warning!
Do not attempt with only one person.



42) Remove *Hitch Pin* from *Down Position Hole*.

43) Carefully allow *Uprights* to raise, while supporting *Handles*.

44) Allow *Uprights* to raise until the *Outer Tube* contacts the *Safety Bolt*.

45) Place *Hitch Pin* in *Up Position Hole*.

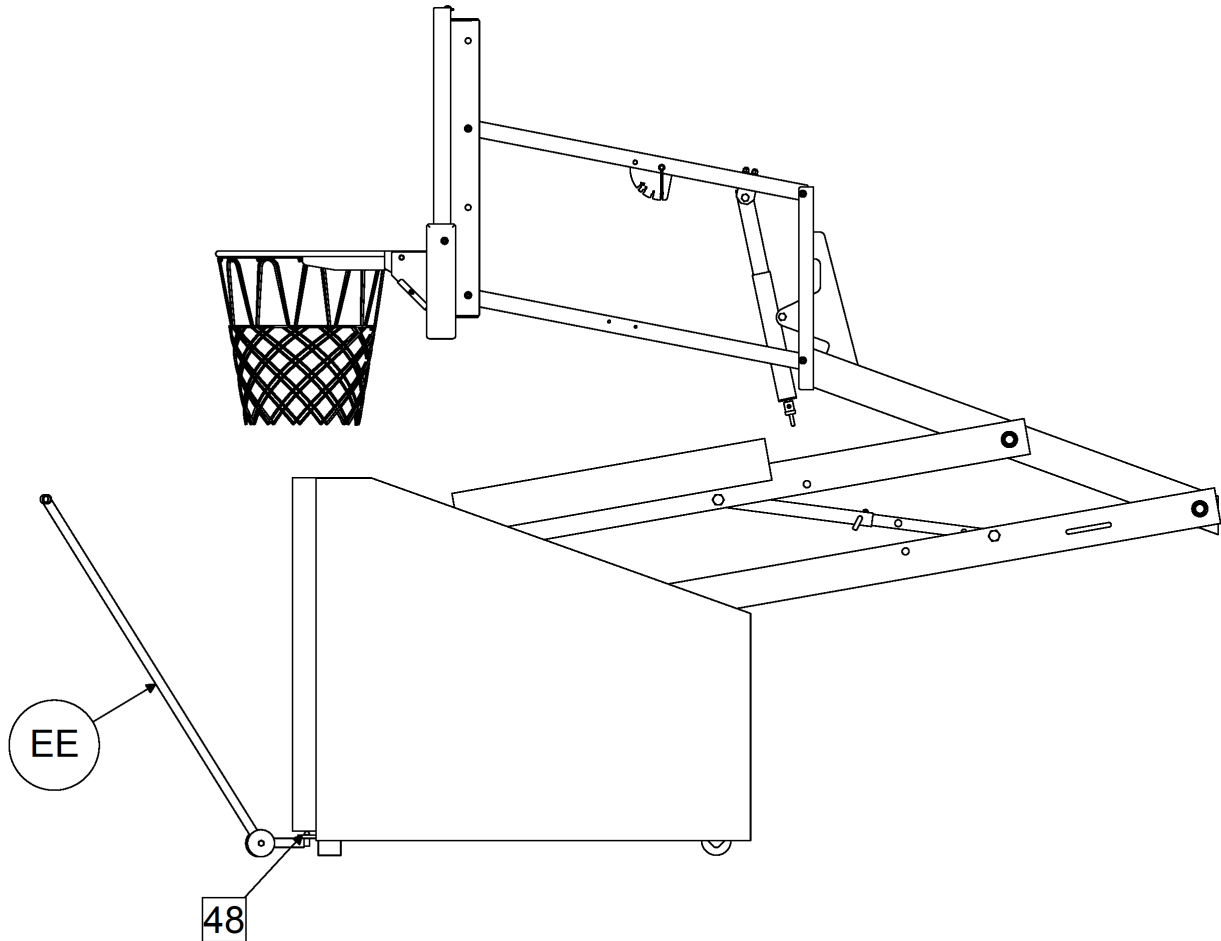
46) Add each 4"x8"x16" *Solid Concrete Cap Blocks (I)* Inside the *Weight Box*. (20 Total, must be stacked as shown)

IMPORTANT

47) Return to **Step 10** on **Page 4** to continue.

Safe Use Instructions

How to Transport



48) The *Transport Dolly* (EE) can be used to move the unit by hooking it into the eyelet at the front of the *Portable Base Assembly* (A).

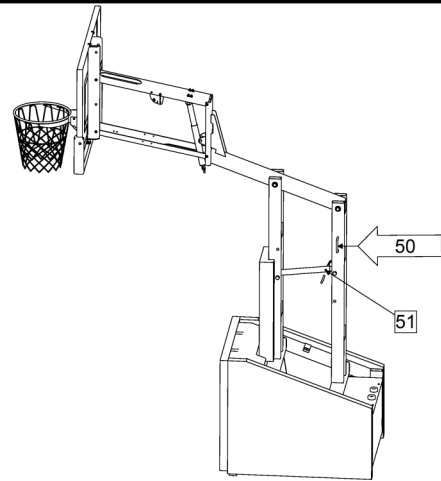
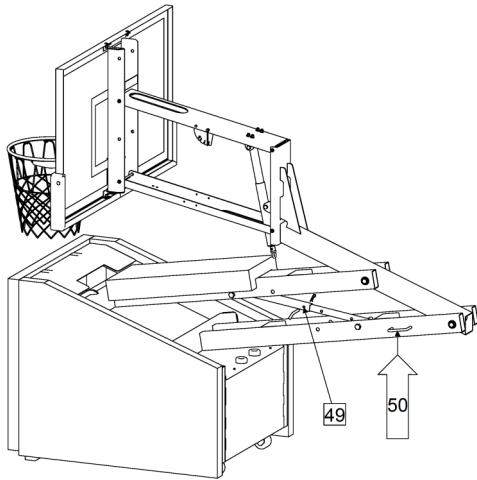
Warning!

Only attempt to move the unit with the *Uprights* in the down position as shown above.

Only attempt to lower the *Uprights* if the *Goal Height Adjuster* is at the 9' or 10' position.

Remove *Transport Dolly* (EE) before playing.

How to Raise



49) Remove *Hitch Pin* from *Down Position Hole*.

50) Allow *Uprights* to raise while supporting the *Handles* and line up the *Positioning Hole* with the *Up Position Hole*.

51) Place *Hitch Pin* through both telescoping tubes.

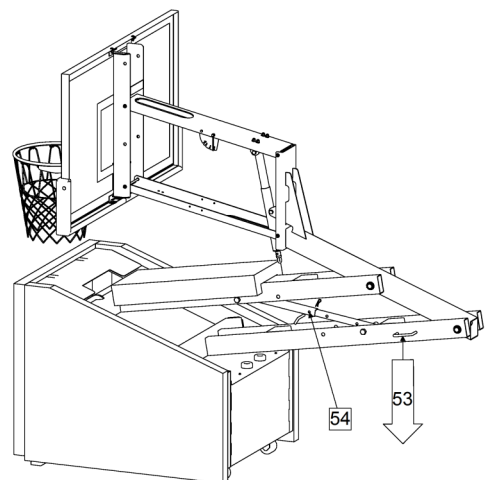
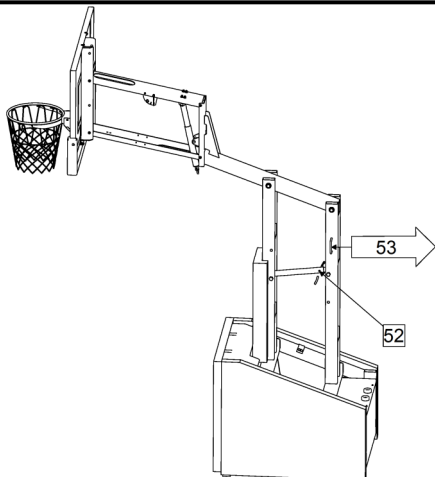
Warning!

Once the *Hitch Pin* is removed, the *Uprights* will want to spring up.

Always support *Handles* before removing *Hitch Pin*.

Only attempt to lower the *Uprights* if the *Goal Height Adjuster* is at the 9' or 10' position.

How to Lower

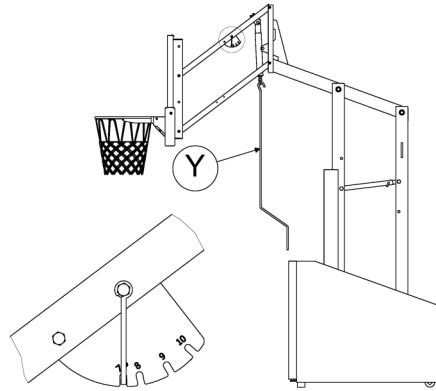
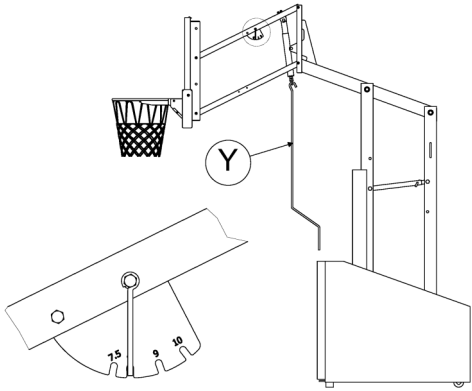
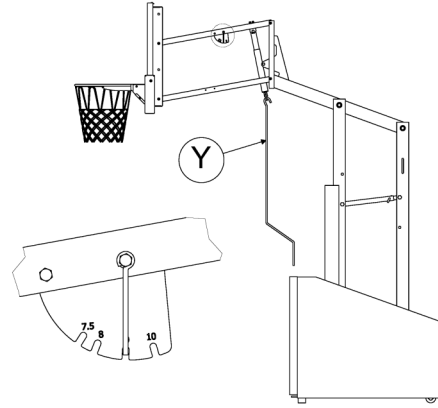
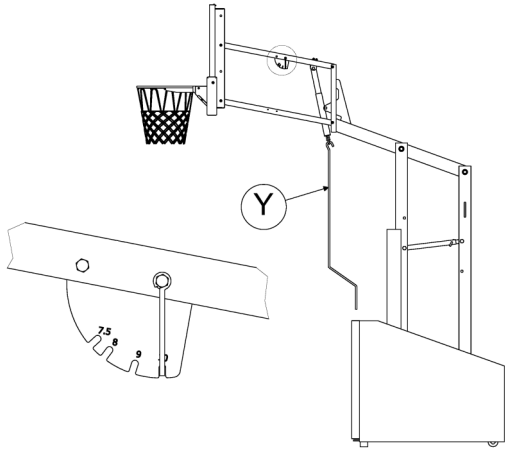


52) Remove *Hitch Pin* from *Up Position Hole*.

53) Using the *Handles*, lower the *Uprights* until the *Positioning Hole* lines up with the *Down Position Hole*.

54) Place *Hitch Pin* through both telescoping tubes.

How to Adjust Height



55) Use the *Crank Handle (Y)* to rotate the *Goal Height Adjuster* to any playing height.

Warning!
Remove and store *Crank Handle (Y)* from *Goal Height Adjuster* before playing.