

BM21/PK21

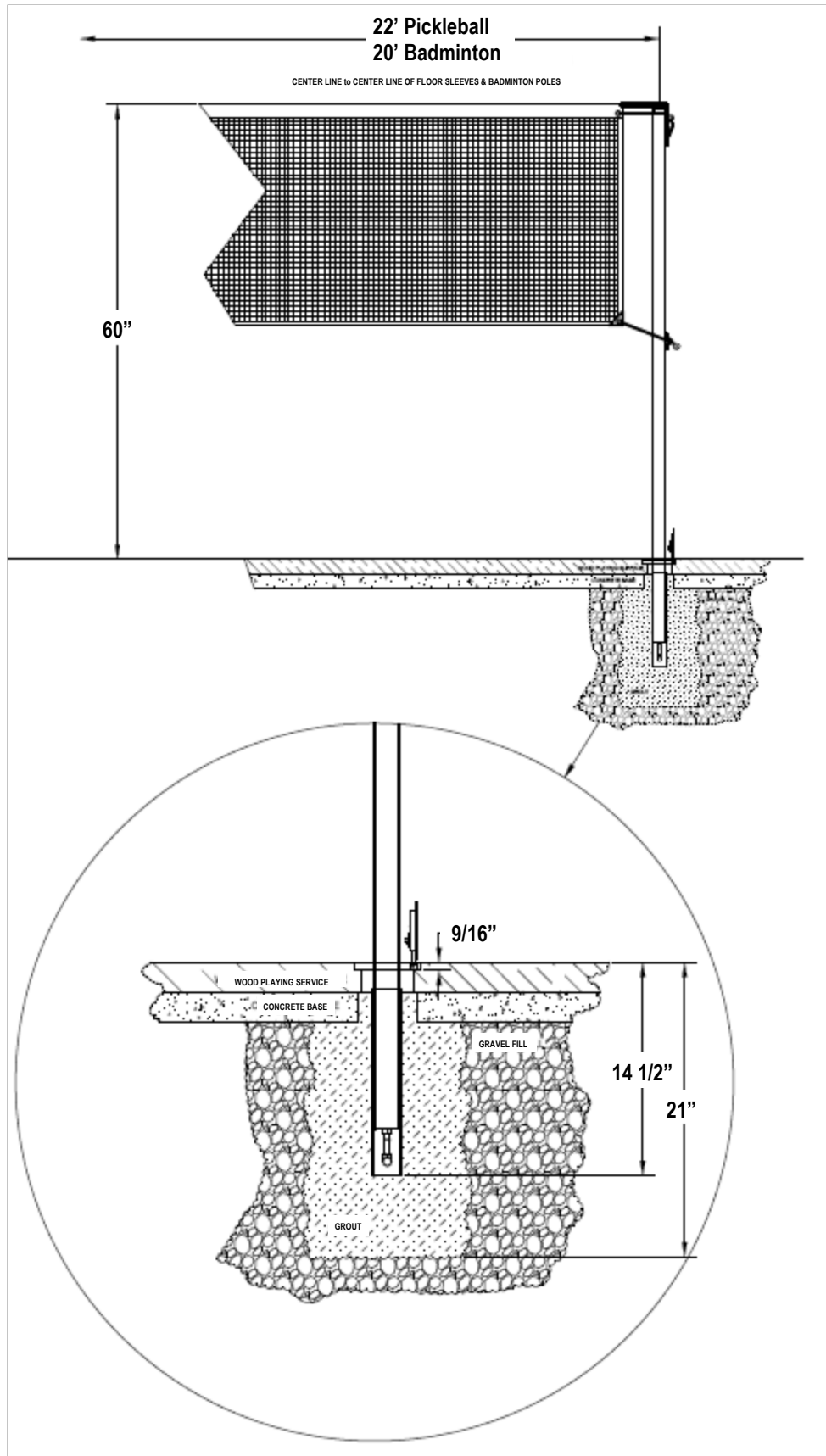


Customer Service
(800) 247-7668

Installation of Badminton/Pickleball Floor Sleeve With Hinged Brass Cover

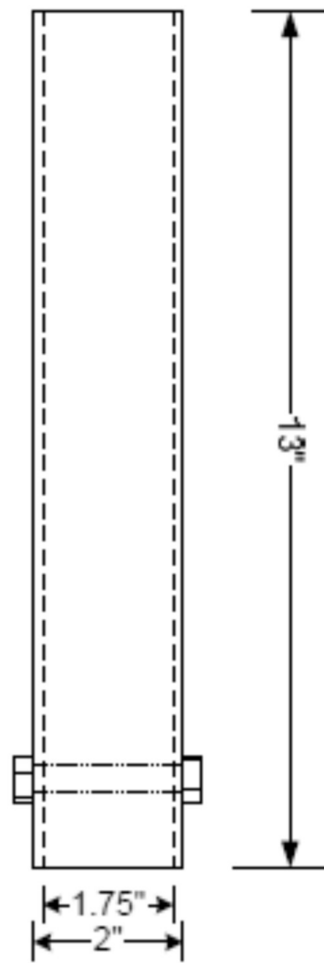
1. BM21/PK21 floor sockets can be used for either Bison PK10PE Pickleball standards or for Bison BM10 Badminton systems, both systems have 1 11/16" equal aluminum posts.
2. If you are installing a PK10PE Pickleball system, mark 2 spots at the playing surface that are 22' apart center to center or the center court line of the court.
3. If you are installing a BM10 Badminton system mark 2 spots at the playing surface that are 20' apart center to center or the center court line of the court.
4. Cut two round holes through the playing surface 2 1/2" to 3 1/2" maximum diameter that are centered on each of the spots you marked.
5. After cutting out the circle in the surface flooring, cut a similar hole in the concrete slab below. The diameter of this hole can be 3" to 4". The size of this hole is not critical. It simply must be large enough to accommodate the sleeve (Detail #1). This can be accomplished with a core bit or by drilling a series of small holes around the circumference. The hole in the concrete does not need to be neat.
6. When drilling the hole in the concrete, you need to fully penetrate the concrete slab. Under the slab, hollow out (by hand) an area about 8-10 inches all the way around the edges of the hole. Depth should also be about 16-20" from the playing surface. This will mean that the hole is about 6 inches deeper than the bottom of the sleeve once it is inserted.
7. We recommend you use a "non-shrink" grout to anchor the sleeve. We use Masterbuilders Masterflow #713. Other good brands are SuperRock, Embeco and Hydrocide. Pour the mixture into the hole until it is just below the bottom of the concrete hole. Cover the sleeve during the installation to prevent debris from falling into it.
8. Insert the sleeve (Detail #1) and work it down into the grout until the inside bottom of the sleeve is 14 1/2" below the top surface of the floor. (If, for some reason, you can't get the sleeve set at this depth, it is possible to alter the post to get the correct net heights.)
9. Pay particular attention to perpendicularity of the sleeve relative to the playing surface. Even a few degrees off vertical will result in the post being visibly skewed.
10. Turn the ring and cover upside down (Detail #2) and approximately center it over the hole. Holding it firmly in place, outline it on the floor. Note: the purpose in centering this ring and cover above the sleeve, will allow the post to pass through to the sleeve below. It may be slightly off-center and still work. This over-sized design facilitates movement of the floor now or in the future. (For extreme cases of movement, a larger cover is available, and can be retrofitted.)
11. A counter bored hole 4 1/2" diameter with a depth of 9/16" will have to be made to receive the floor plate top (Detail #2). This may be done by using a router and a template. The template can be made from a piece of Masonite or thick plastic. Make a hole in the template material so that when the router is used with it, the counter bored diameter is 4 1/2". Use a scrap board for practice in checking the outcome of the hole itself.
12. Center the template over the 5" diameter hole. When making the counter bored hole, keep pressure on the template at all times. This will keep the template from slipping and also the wood floor around the floor plate will not splinter. Do not set the depth the depth of the router at 9/16" immediately. Gradually work down to the depth at which the floor plate is just flush with the surface of the floor. Place the floor plate down into the hole several times so as not to make the hole too deep. When installed, the plate must fit perfectly flush with the top surface of the floor.

13. Place the ring in the routed out portion of the hole. Inside the ring there are three (3) holes. Use the provided screws in the holes to secure the ring to the floor. (Normally this will be located in such a fashion that the covers open away from the court, though this is not critical.)
14. Wait a minimum of seven days before setting up the poles.



BADMINTON FLOOR SLEEVE

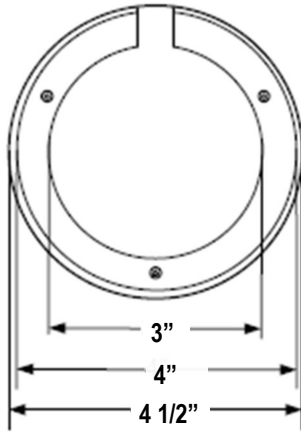
DETAIL #1



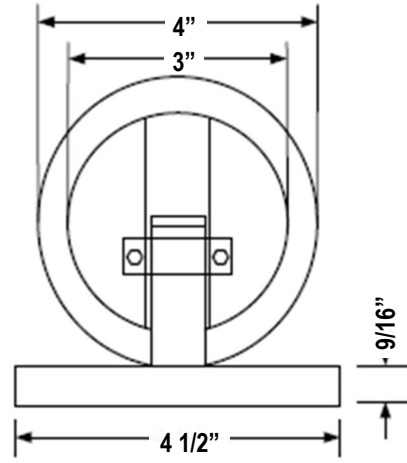
BADMINTON COVER PLATE

DETAIL #2

COVER RING (TOP VIEW)



COVER OPEN (FACING)



COVER OPEN (SIDE VIEW)

