

HT6HFRAME



Customer Service
(800) 247-7668

PARTS LIST					
Item	Qty	Description	Item	Qty	
A	1	Backboard (packaged separately)	F	1	Main Extension Arm (Item B in pole instructions)
B	1	Backboard H-Frame (packaged separately)	G	2	Parallel Linkage (Item C in pole instructions)
C	8	5/16" X 1" Machine Screw (packaged separately)	H	1	3/4" X 11 1/4" Hex Bolt (Item O in pole instructions)
D	8	5/16" Lock Washer (packaged separately)	I	1	3/4" X 12 1/2" Hex Bolt (Item P in pole instructions)
E	8	5/16" Hex Nut (packaged separately)	J	2	3/4" Lock Nut (Item Q in pole instructions)

- ◆ Inspect all contents prior to installation. Report any missing parts to dealer immediately.
- ◆ Read all instructions before proceeding.

Notice:

Follow steps one and two in the instructions provided with the pole system to install the base anchor system and pole assembly. Please refer to the instructions below as a supplement to step 10, backboard assembly.

1. Use the 5/16" X 1" Machine Screws (C), 5/16" Lock Washers (D) and 5/16" Hex Nuts (E) to install Backboard H-Frame (B) into Backboard (A). See Figure 1.
2. Use the 3/4" X 11 1/4" Hex Bolt (H), 3/4" X 12 1/2" Hex Bolt (I) and 3/4" Lock Nuts (J) to install backboard assembly as described in step 10 of the pole instructions. See Figure 1.
3. Refer to the pole instructions 12 and 13 to complete the rim installation.

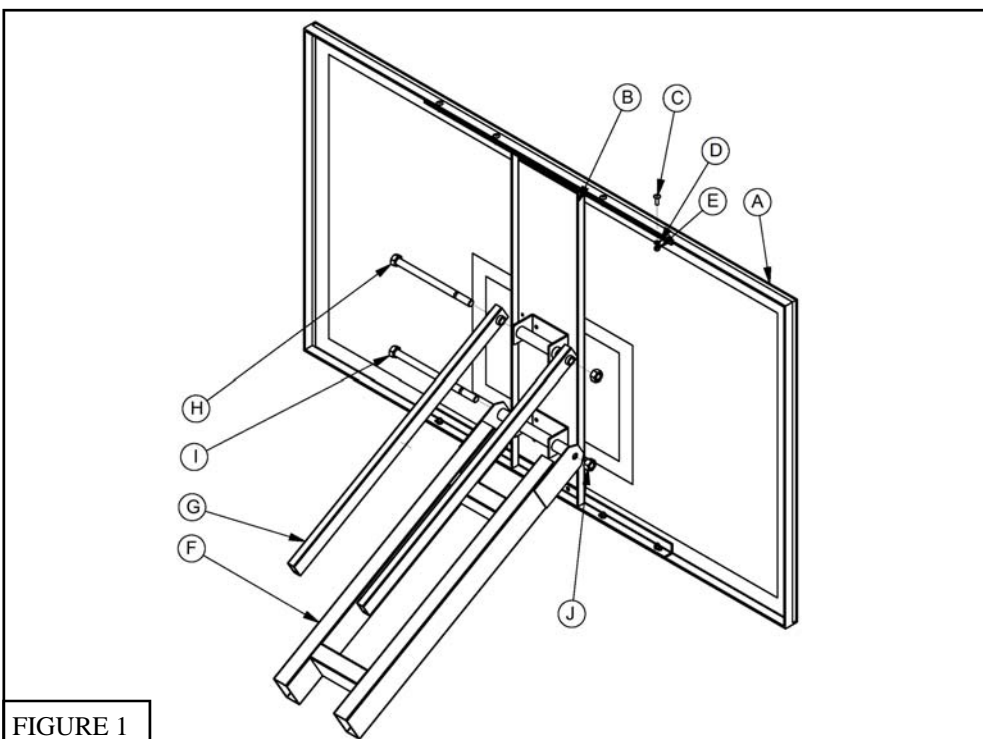


FIGURE 1