

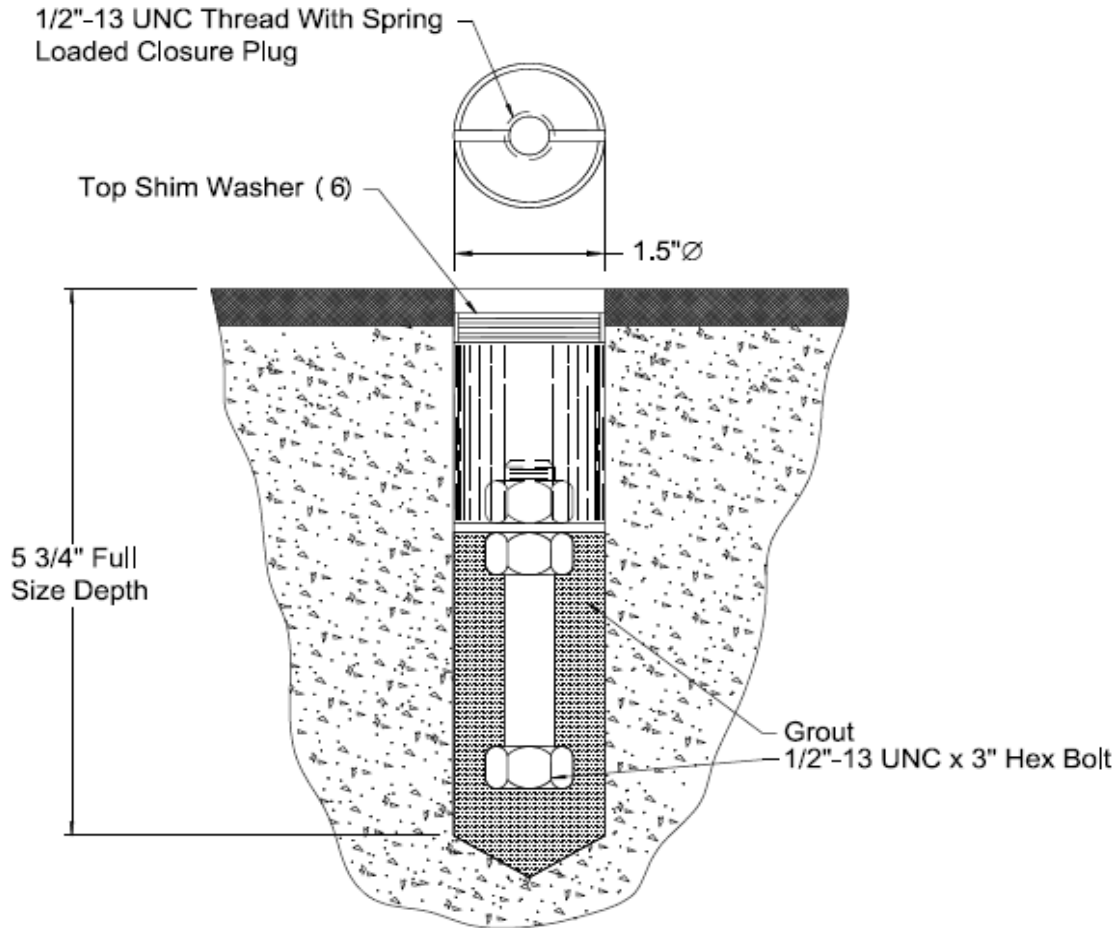
VB25



Drill In Floor Anchors For Concrete Or Synthetic Floors

Customer Service
(800) 247-7668

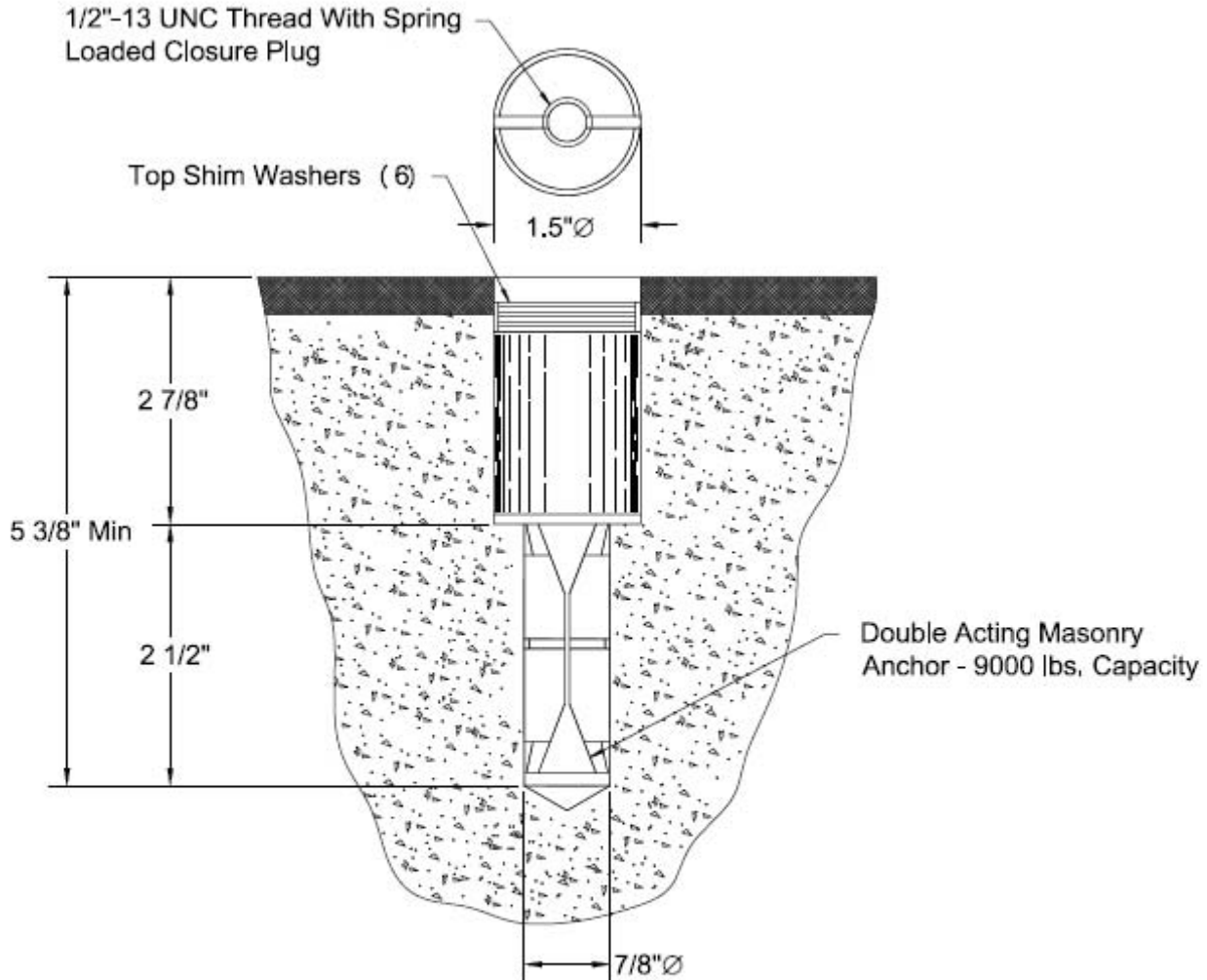
INSTALLATION OPTION USING GROUT METHOD



IMPORTANT NOTE:

1. Use a 1 1/2" hollow core carbide tipped drill and bore a hole 5 3/4" deep, minimum.
2. Remove anchor and turn bolt around as shown. Use two nuts provided and lock bolt into canister.
3. Insert into hole and be sure grout gets into the grooves on the outside of the canister.
4. Top shims washers may be removed if required.

INSTALLATION OPTION USING EXPANDING CONCRETE ANCHORS



IMPORTANT NOTE:

1. Drill a 1 1/2"Ø hole to a depth of 2 7/8", Then drill a 7/8"Ø hole an additional 2 1/2" deep.
2. Insert the assembly as shown, fastening the canister down with the anchor.
3. Top shim washer may be removed if required.

Volleyball Court Diagram

