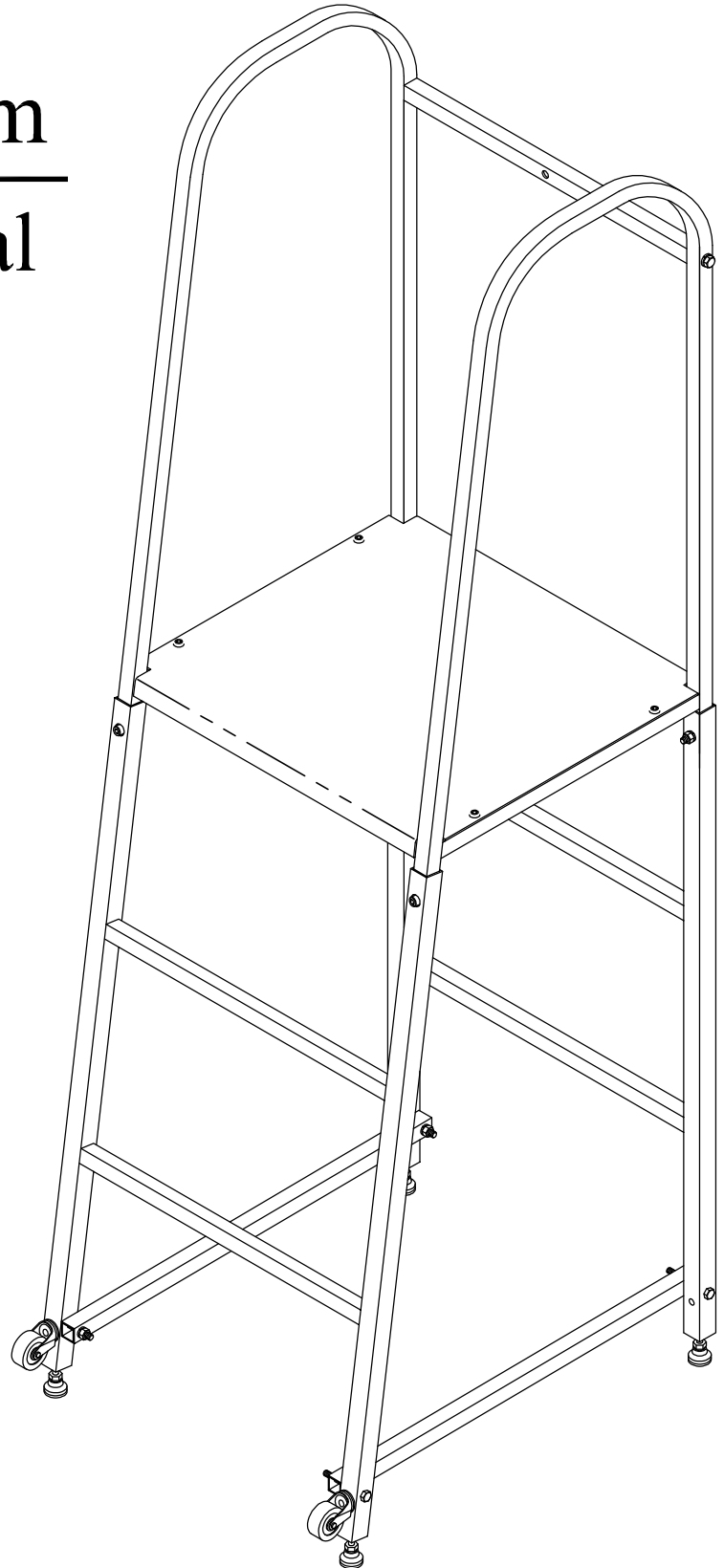




Referee Platform

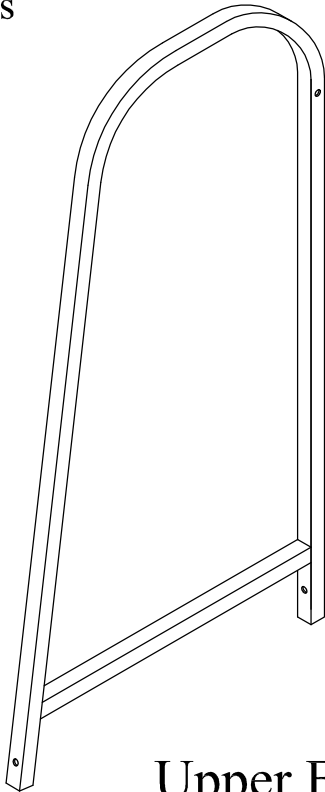
Assembly Manual



PUBLICATION No.
601753160

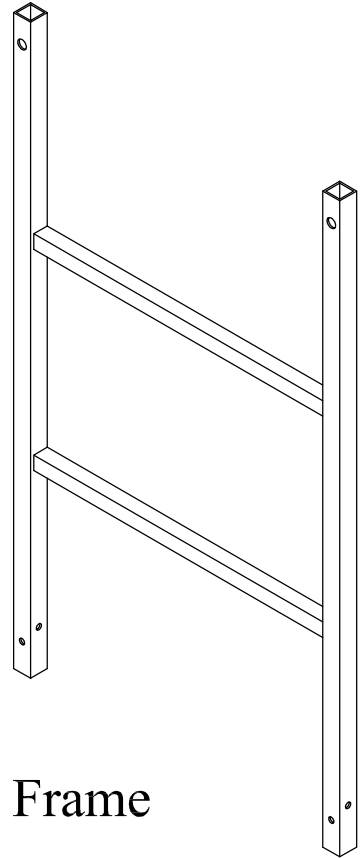
Identify main parts by letter.

A 2-Parts



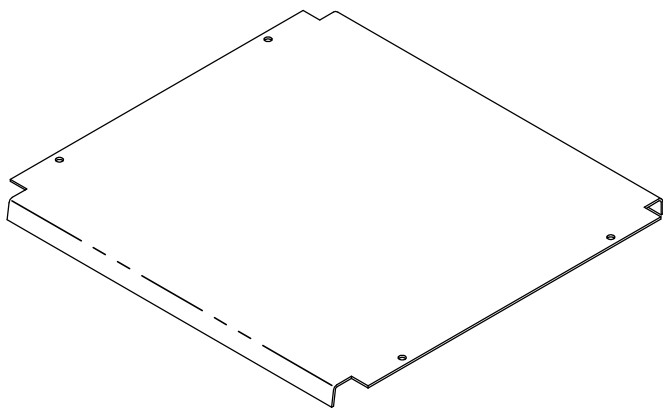
Upper Frame

B 2-Parts



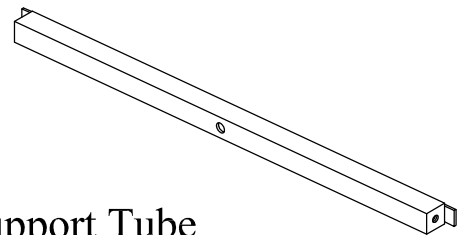
Lower Frame

C 1-Part



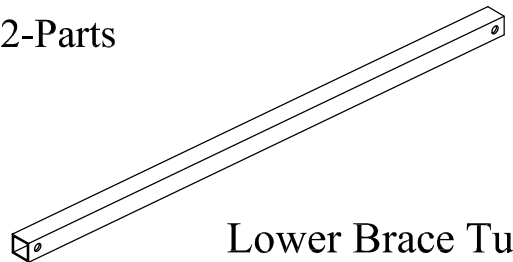
Platform

D 1-Part



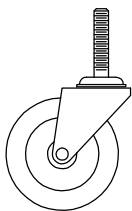
Upper Support Tube

E 2-Parts



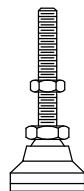
Lower Brace Tube

F 2-Parts



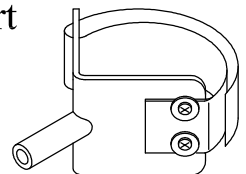
Caster

G 4-Parts



Swivel Foot Pad

H 2-Part

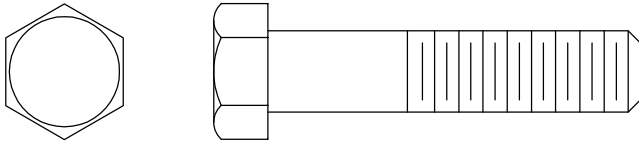


V-Bracket Assembly

Identify fasteners by number.

1

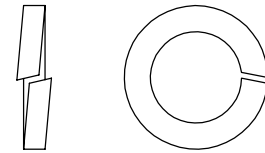
Qty. 2



7/16" Hex Head Bolt x 2" Long

7

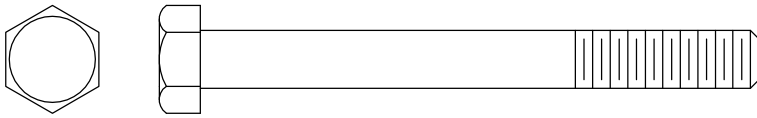
Qty. 2



7/16" Lock Washer

2

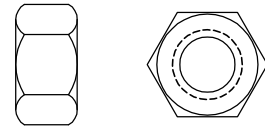
Qty. 4



5/16" Hex Head Bolt x 3" Long

8

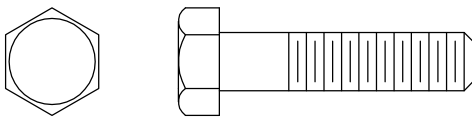
Qty. 2



3/8" Hex Nut

3

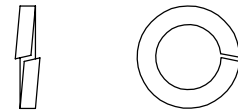
Qty. 2



5/16" Hex Head Bolt x 1-3/8" Long

9

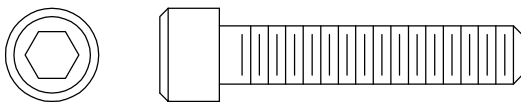
Qty. 14



5/16" Lock Washer

4

Qty. 4



5/16" Socket Head Cap Screw x 1-5/8" Long

10

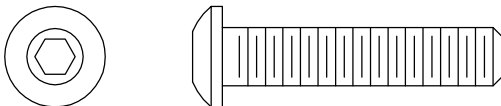
Qty. 12



5/16" Hex Nut

5

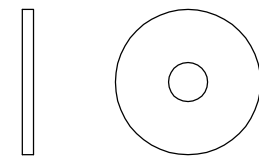
Qty. 4



5/16" Button Head Cap Screw x 1-1/2" Long

11

Qty. 2



3/16" Fender Washer

6

Qty. 2



#10-24 Pan Head Screw x 1/2" Long

12

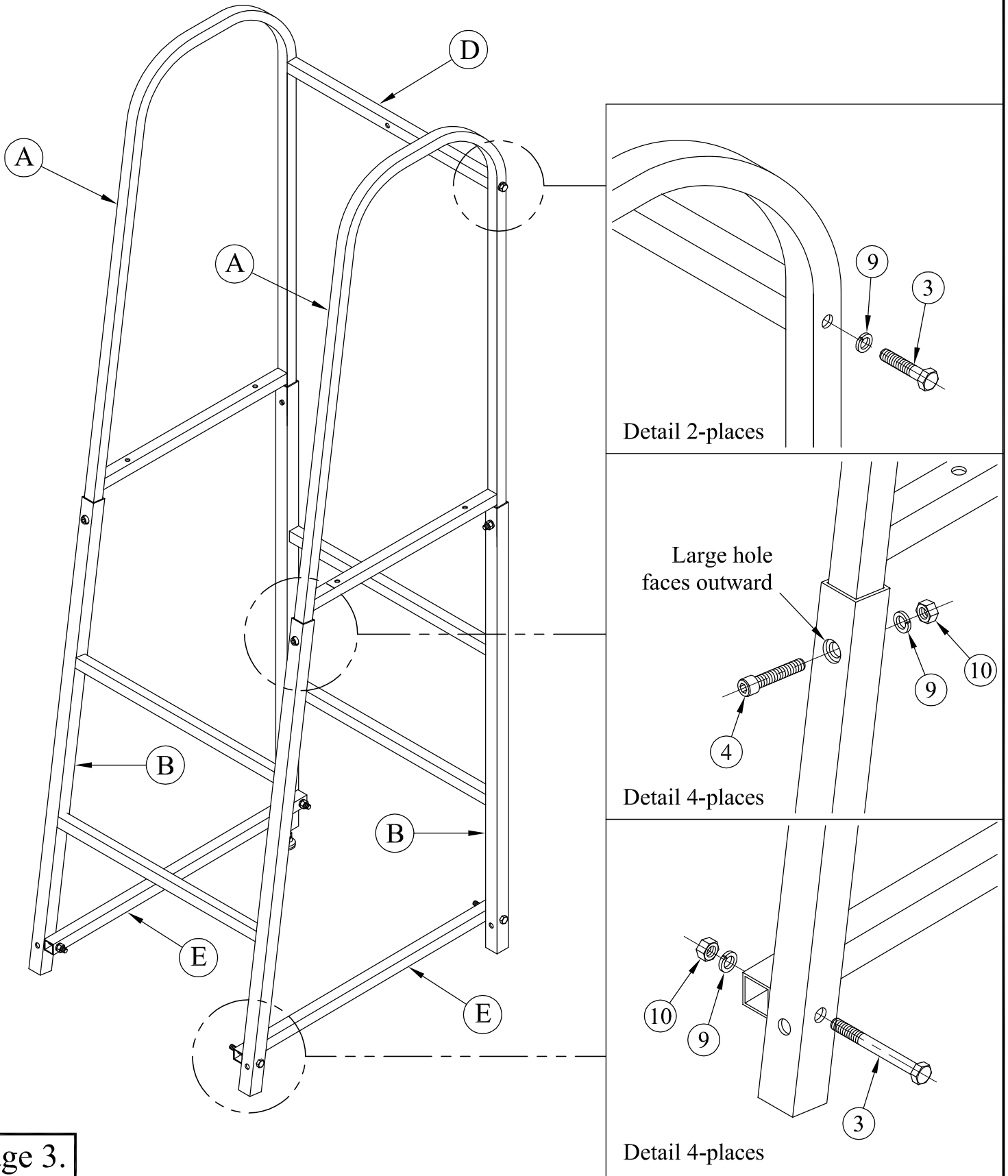
Qty. 2



#10-24 Hex Nut

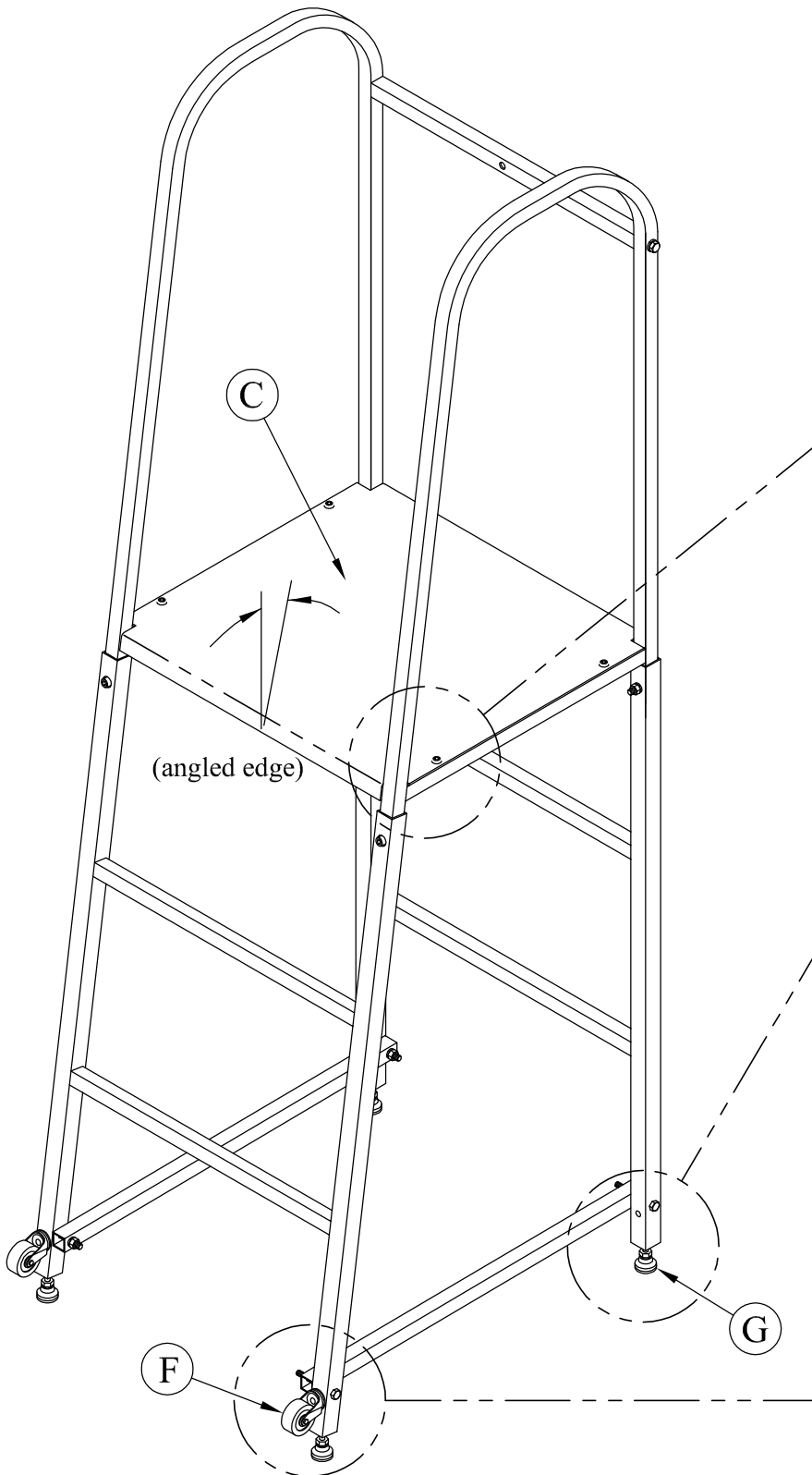
ASSEMBLY PROCEDURE:

Assemble upper frames (A) to lower frames (B).
Add lower brace tubes (E). Add upper support tube (D).
See detail views at right for fastener selections.

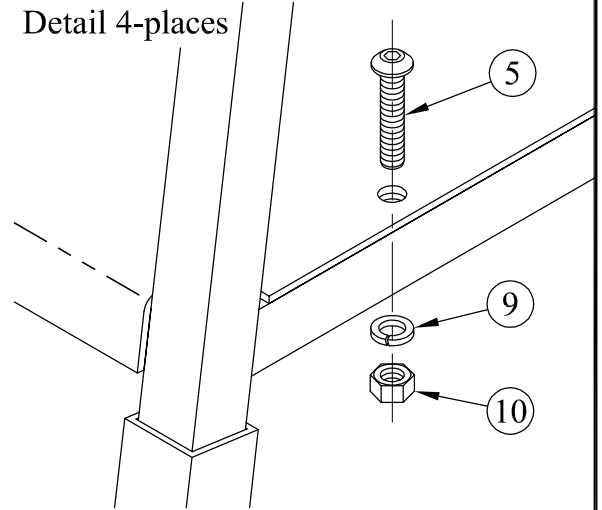


ASSEMBLY (CONTINUED)

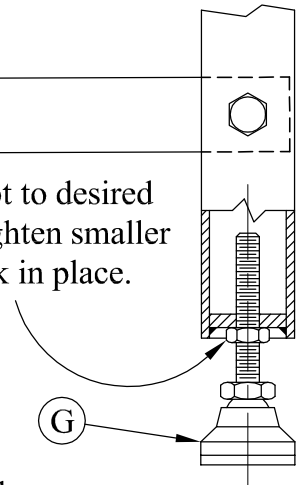
Assemble the platform (C) with the angled edge toward steps as shown.
Attach the casters (F) and the foot pads (G).
See detail views at right for more information.



Detail 4-places

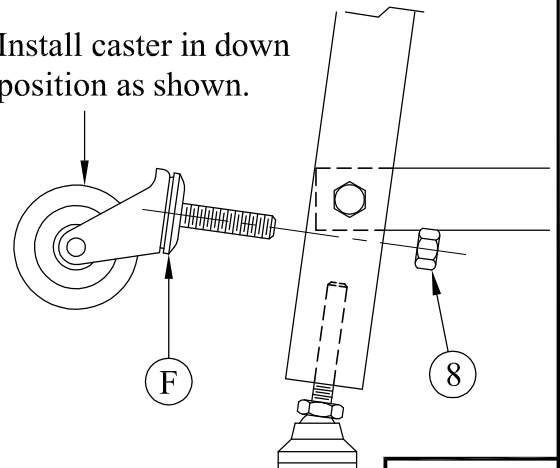


Screw foot to desired depth. Tighten smaller nut to lock in place.



Detail 4-places

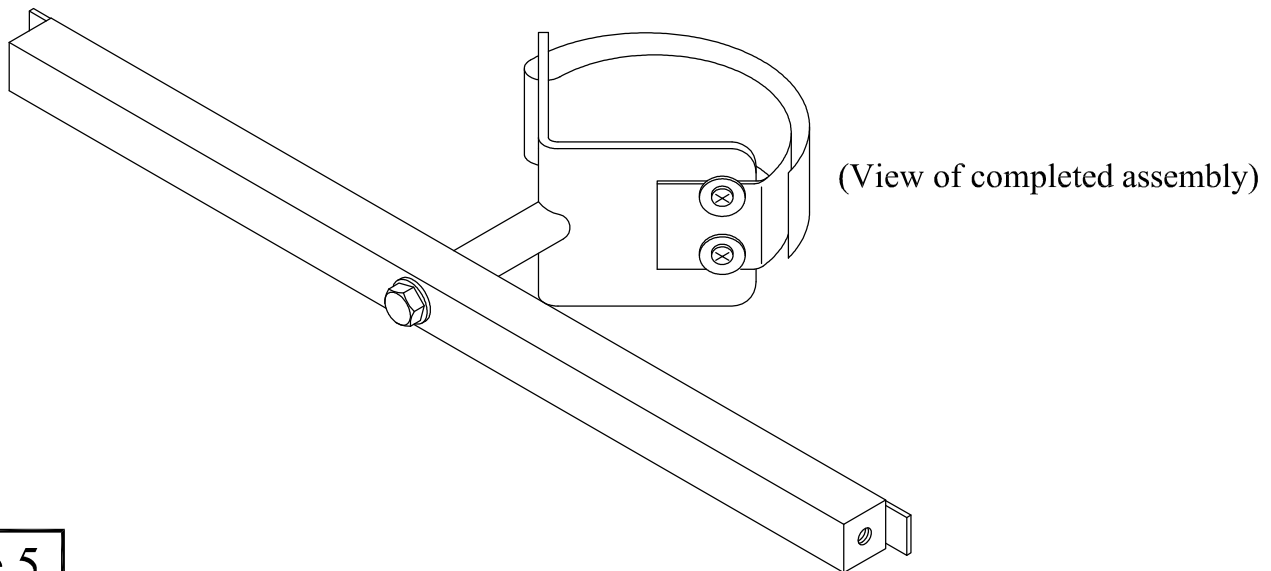
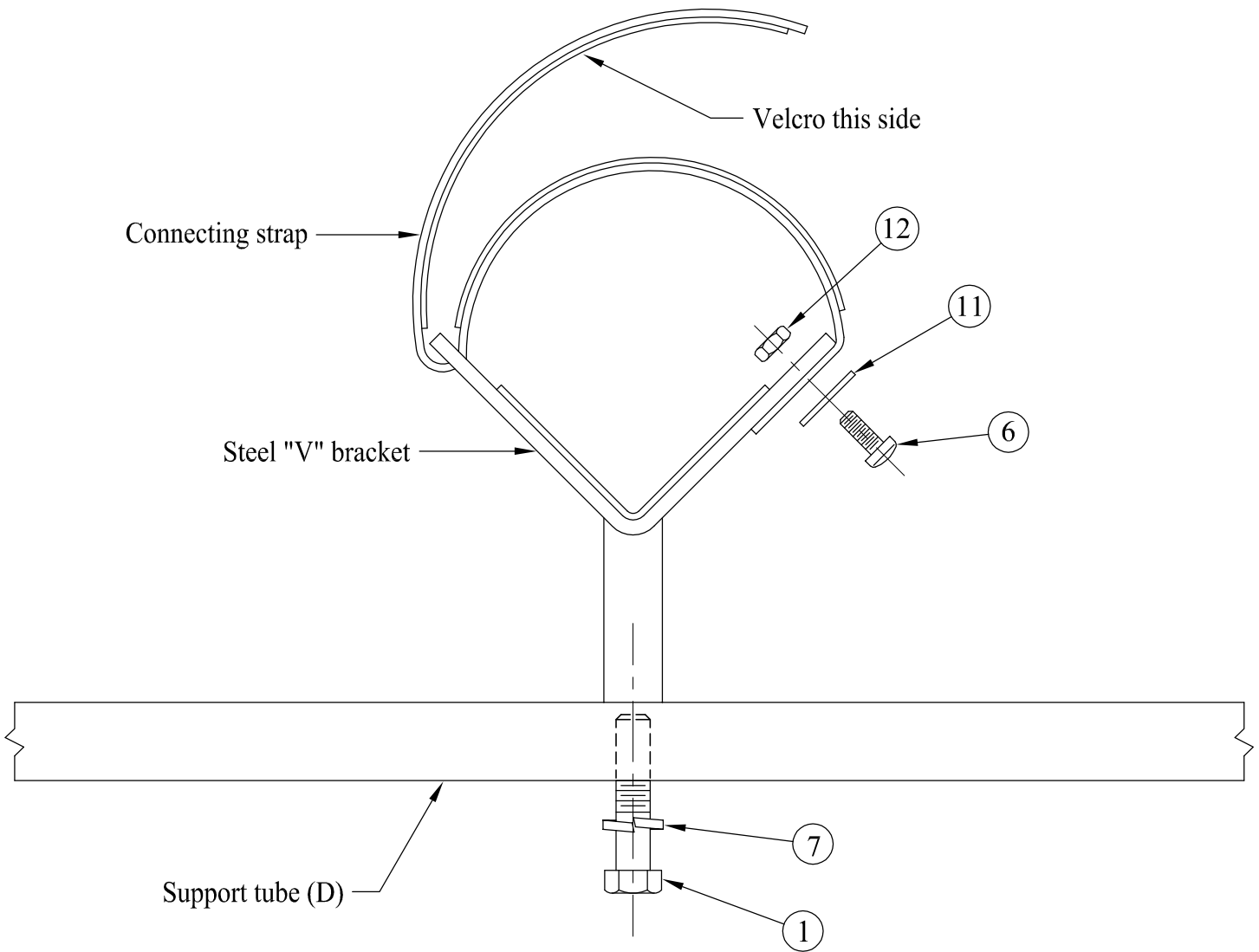
Install caster in down position as shown.



Detail 2-places

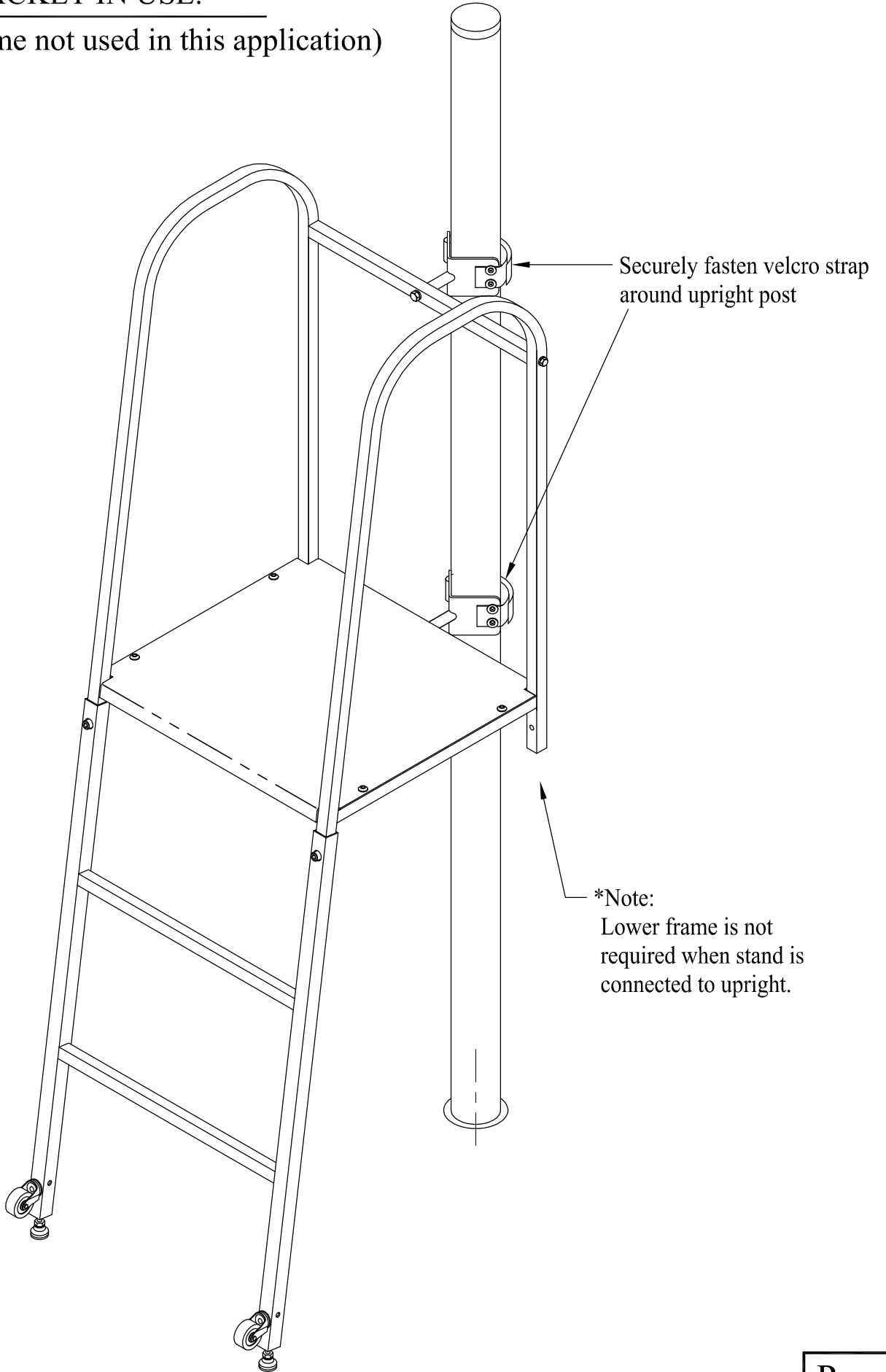
POST MOUNTING BRACKET

Assemble the bracket as shown at top and bottom.
Use the numbers to select the proper fasteners.



POST BRACKET IN USE:

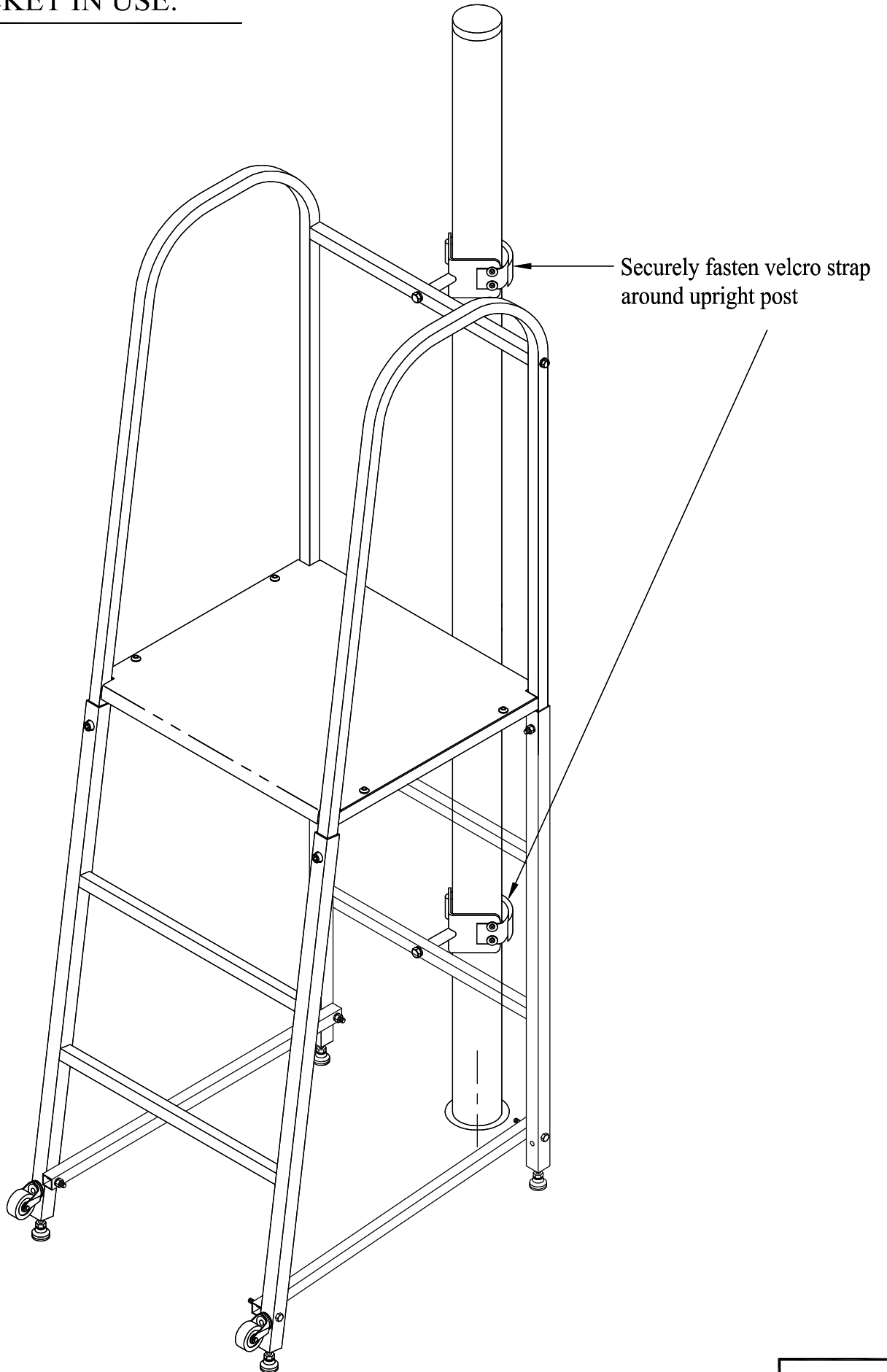
(Lower frame not used in this application)



Securely fasten velcro strap around upright post

*Note:
Lower frame is not required when stand is connected to upright.

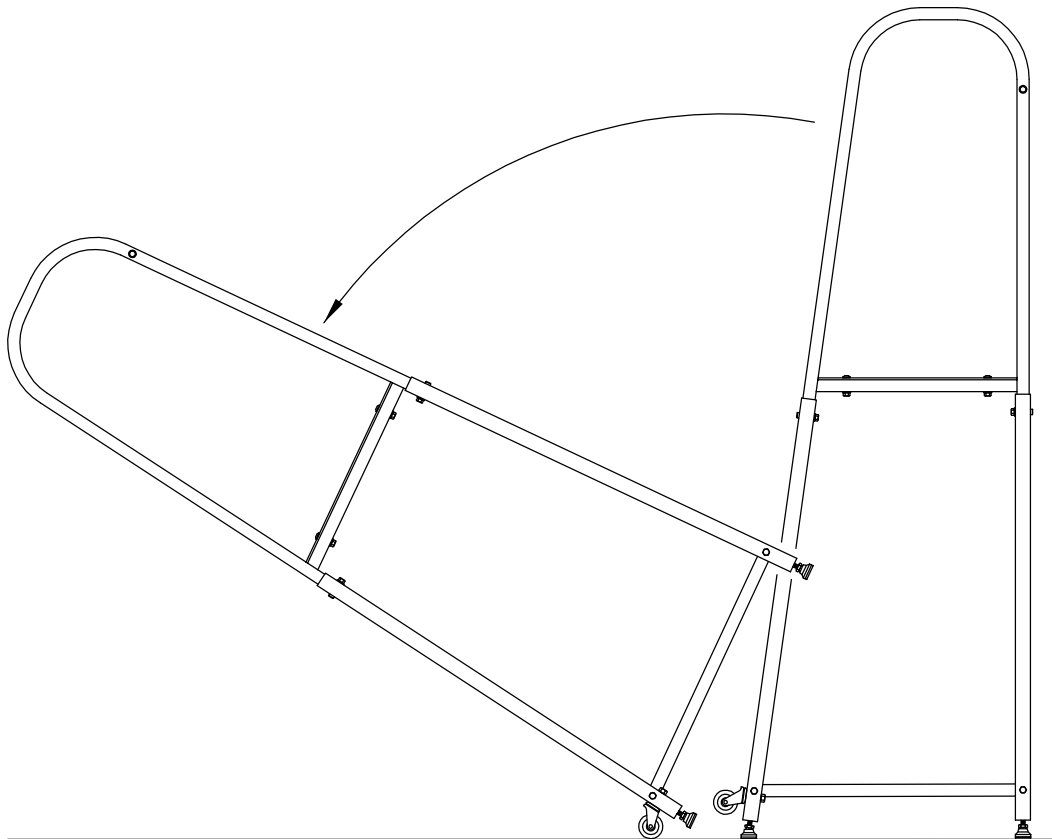
POST BRACKET IN USE:



Securely fasten velcro strap
around upright post

TO MOVE PLATFORM:

Tilt platform over onto casters for ease of movement.



Gared Holdings, LLC

Performance Sports Systems
9200 E. 146th Street
Noblesville, IN 46060

800-848-8034
www.perfsports.com

Gared Sports
707 North 2nd Street
St. Louis, MO 63102

800-325-2682
www.garedsports.com