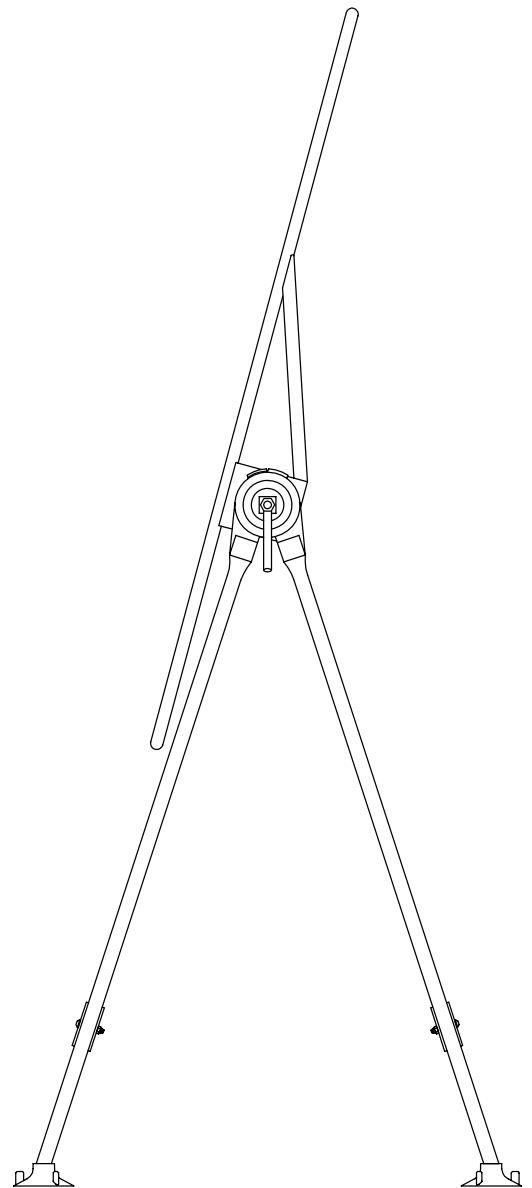
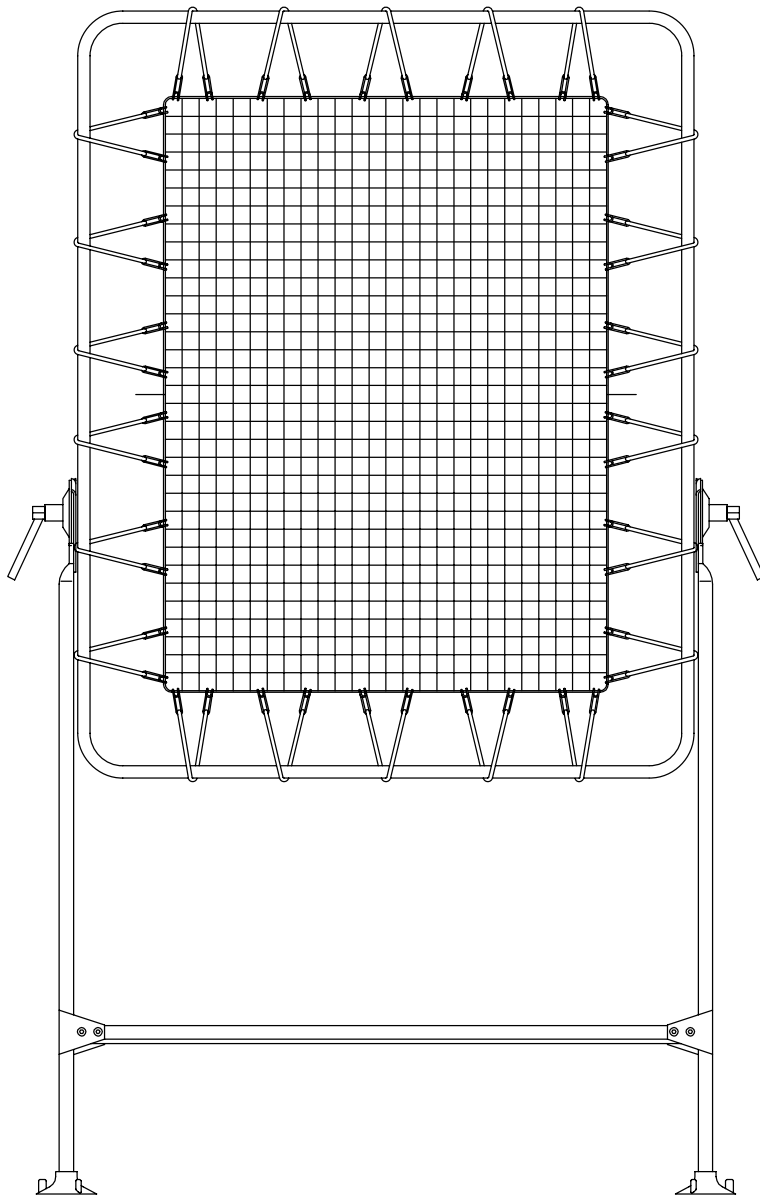


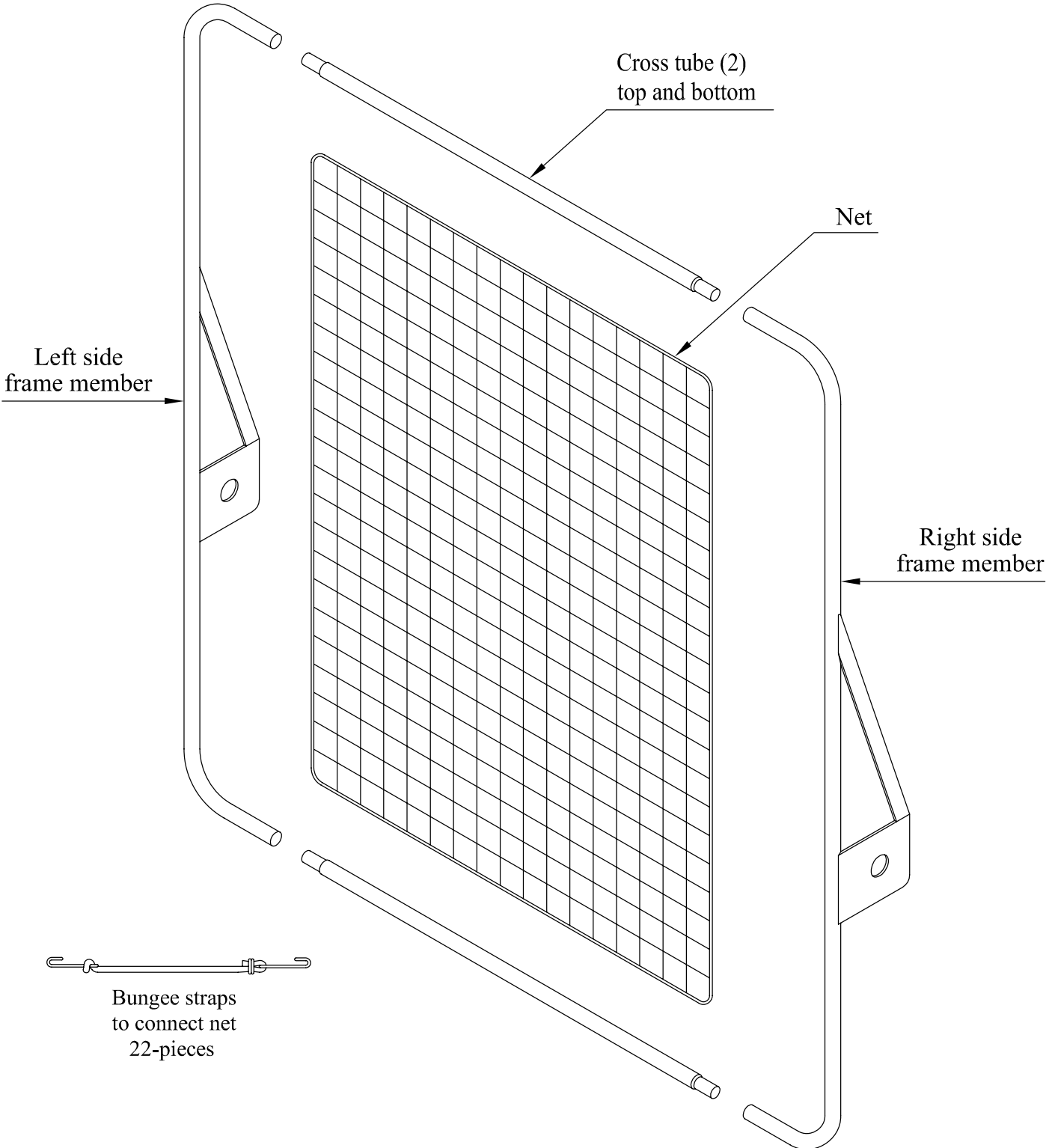
Master TOSS BACK®

Assembly Manual

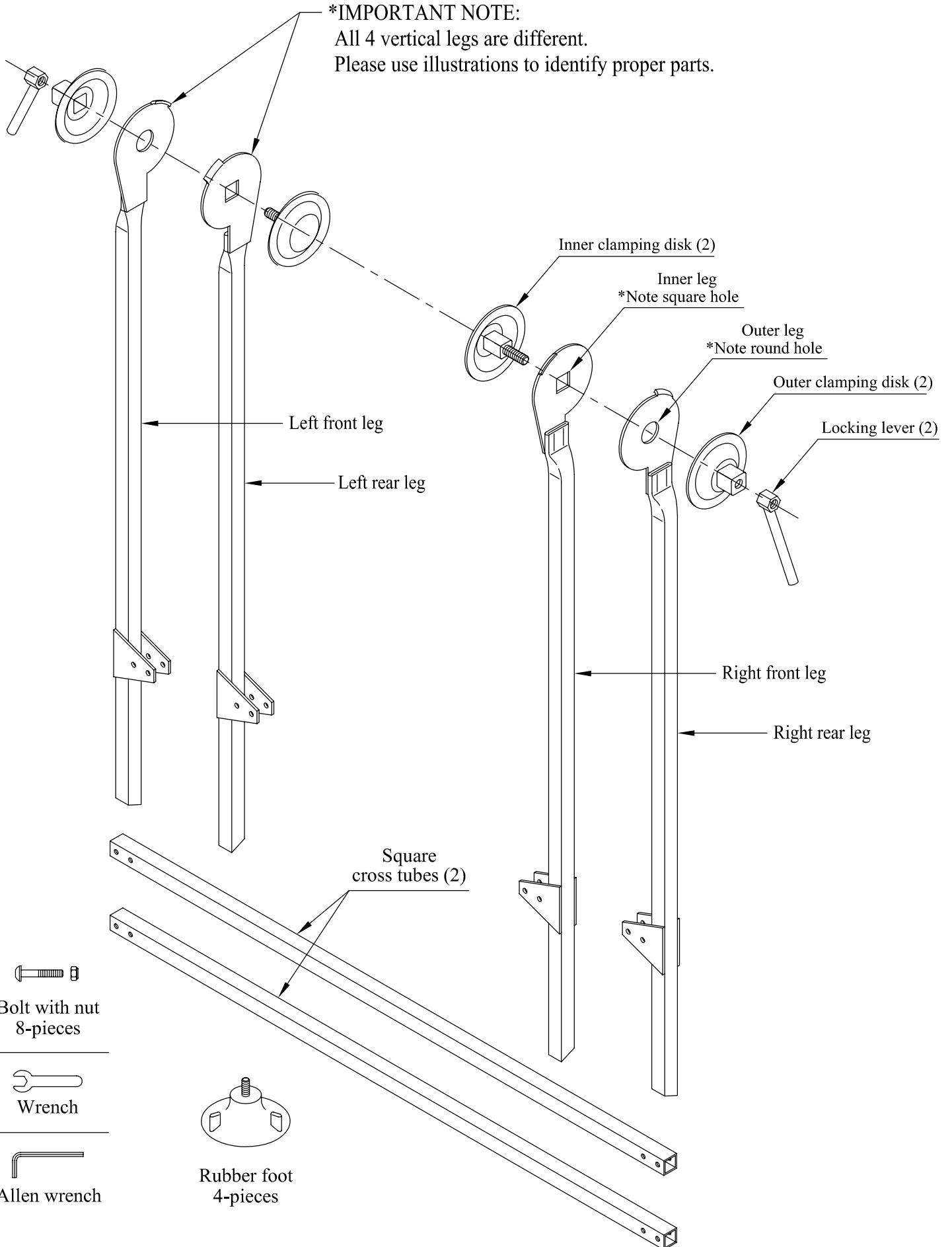


PLEASE FOLLOW STEP-BY-STEP INSTRUCTIONS
FOR SUCCESSFUL SET-UP AND OPERATION

Remove and unpack all parts. Use illustrations
on pages 1 and 2 to identify all parts.



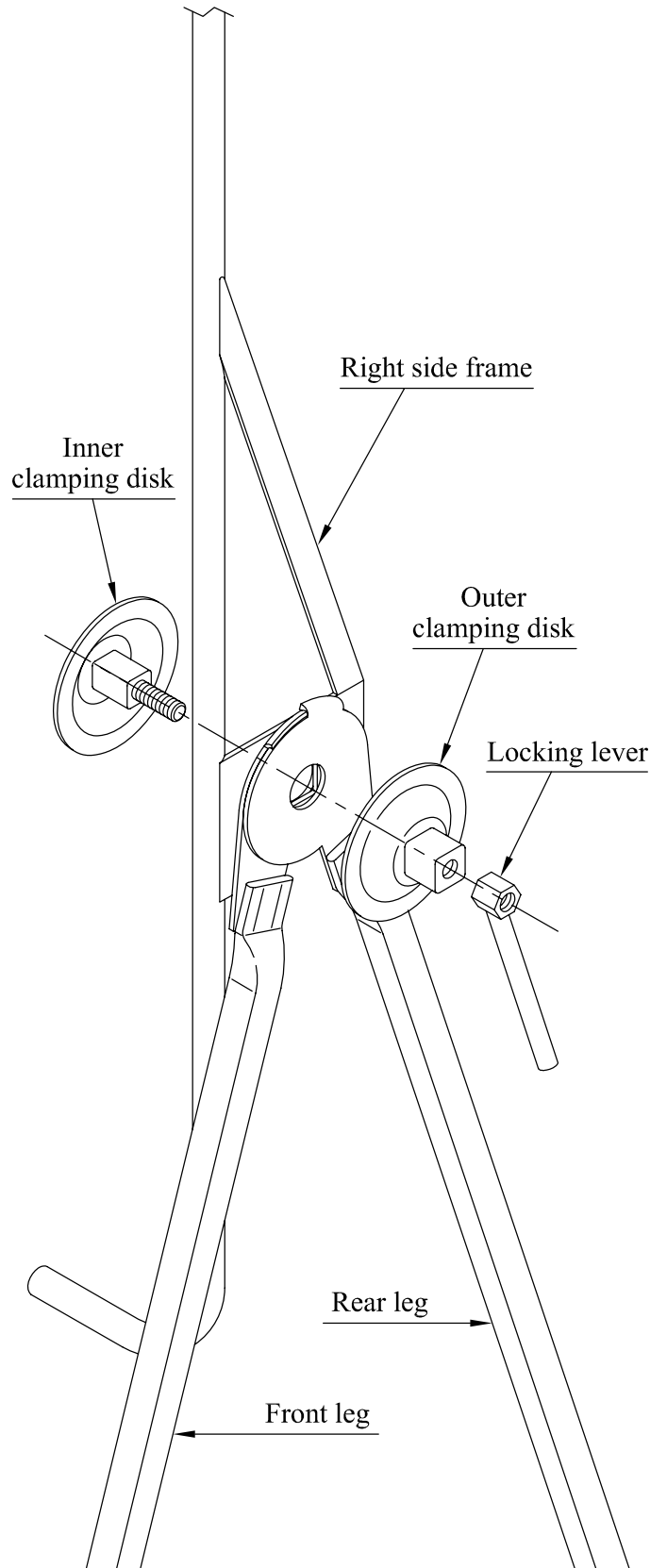
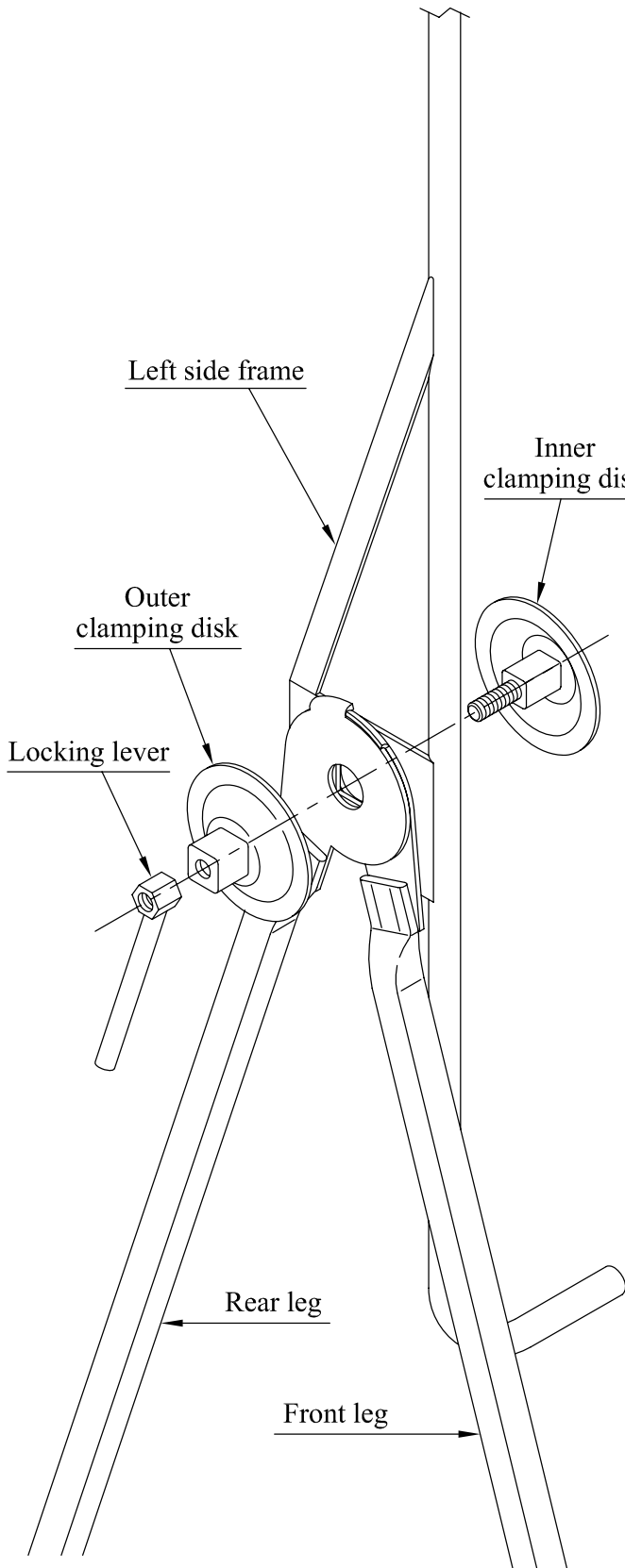
***IMPORTANT NOTE:**
 All 4 vertical legs are different.
 Please use illustrations to identify proper parts.



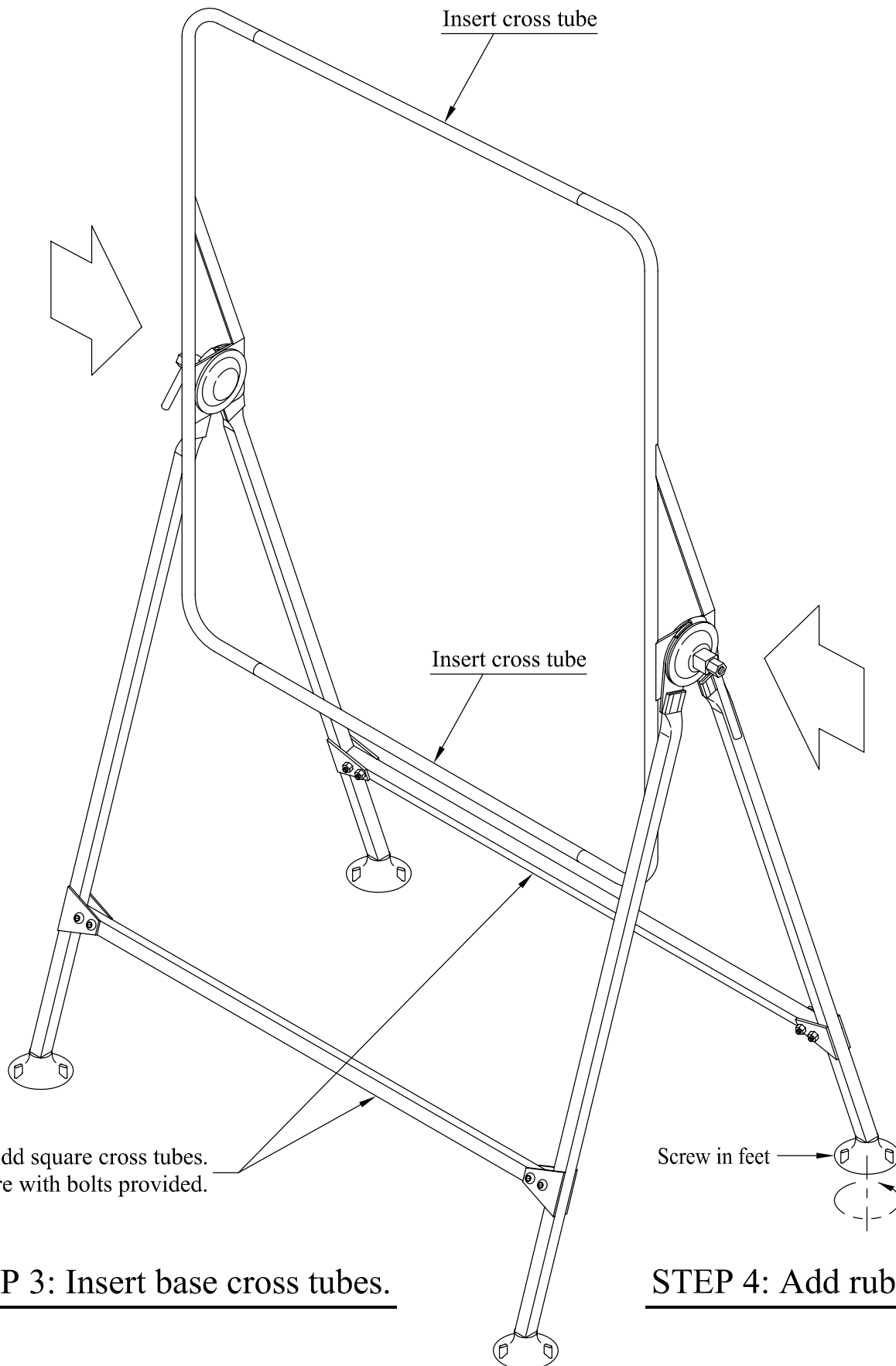
STEP 1: Assemble the left and right side components as shown.

Left side components

Right side components



STEP 2: Slide the left and right sides together around the cross tubes.

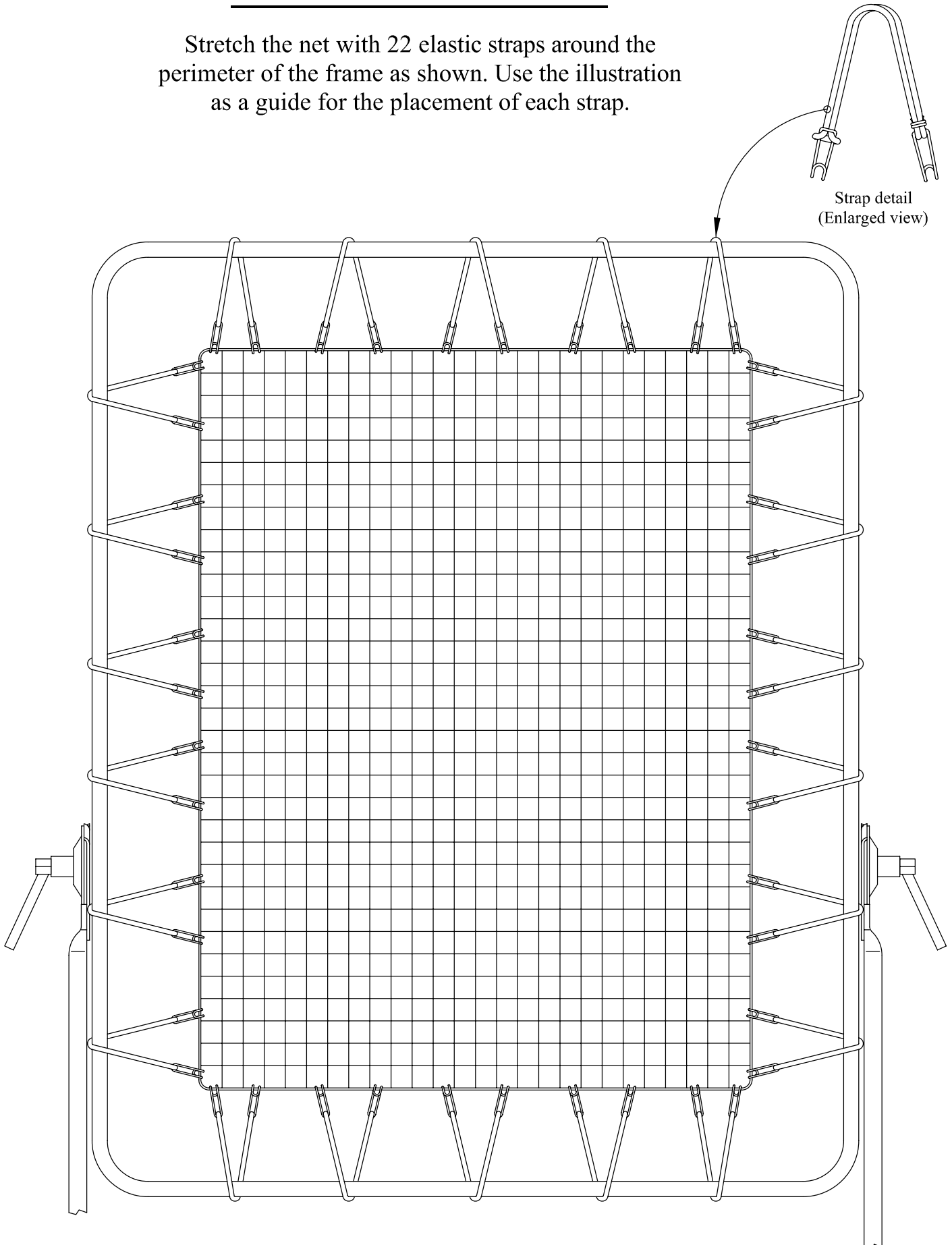


STEP 3: Insert base cross tubes.

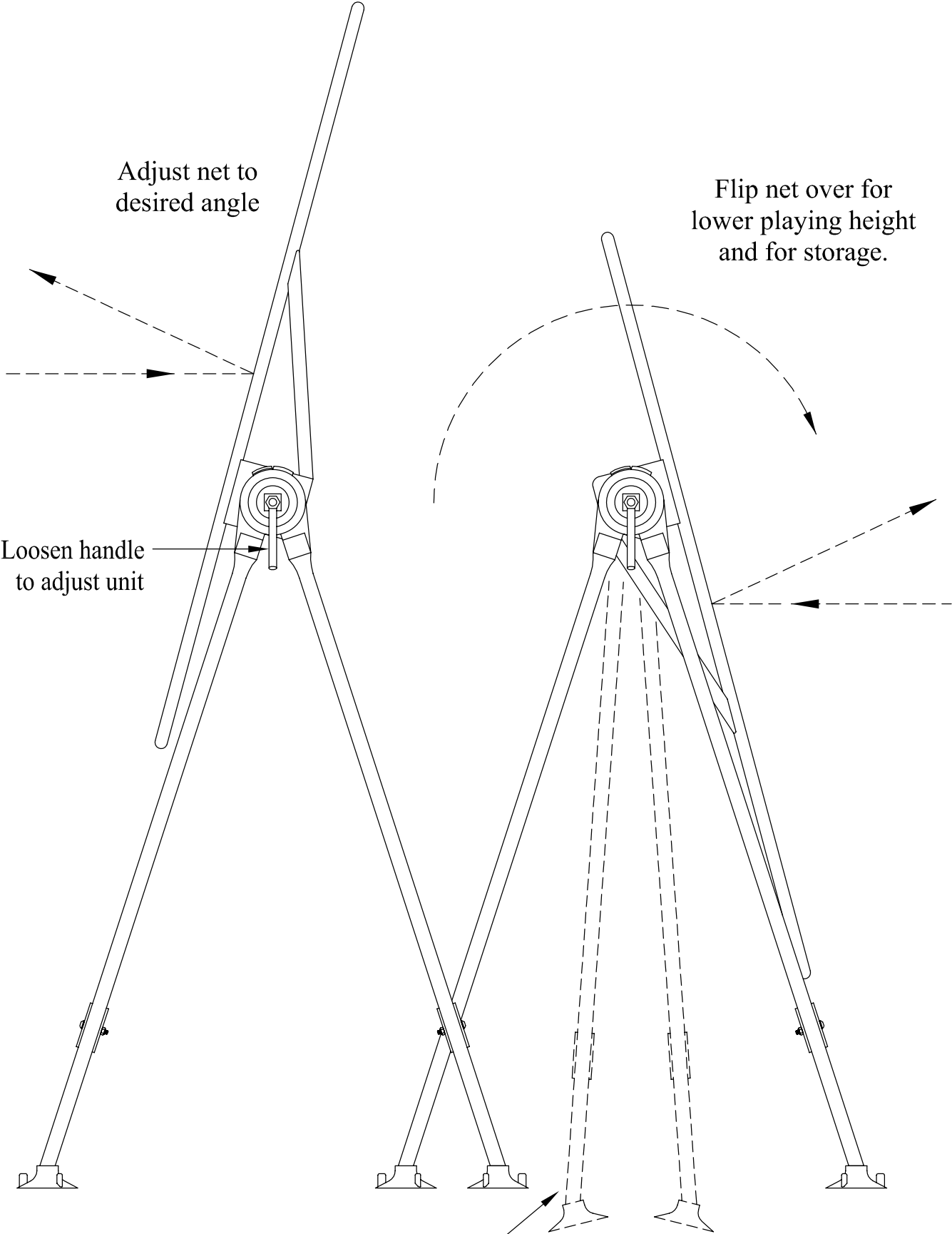
STEP 4: Add rubber feet.

STEP 5. Assemble the net.

Stretch the net with 22 elastic straps around the perimeter of the frame as shown. Use the illustration as a guide for the placement of each strap.



Master Tossback ready for play

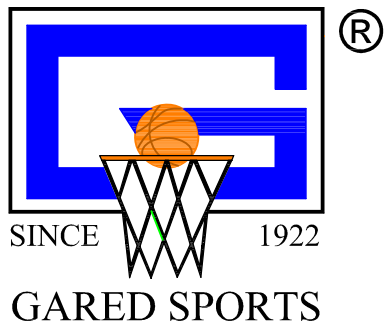


Adjust net to desired angle

Flip net over for lower playing height and for storage.

Loosen handle to adjust unit

Legs fold for storage



Tel: 1-800-325-2682 Fax: (314) 421-6014
www.garedsports.com E-mail: info@garedsports.com