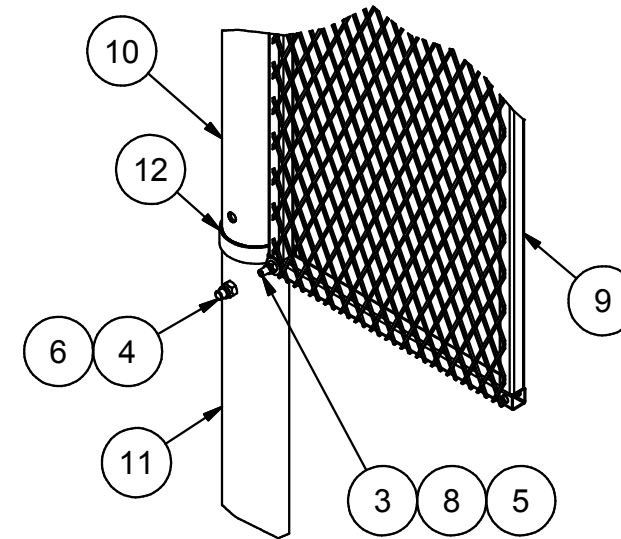
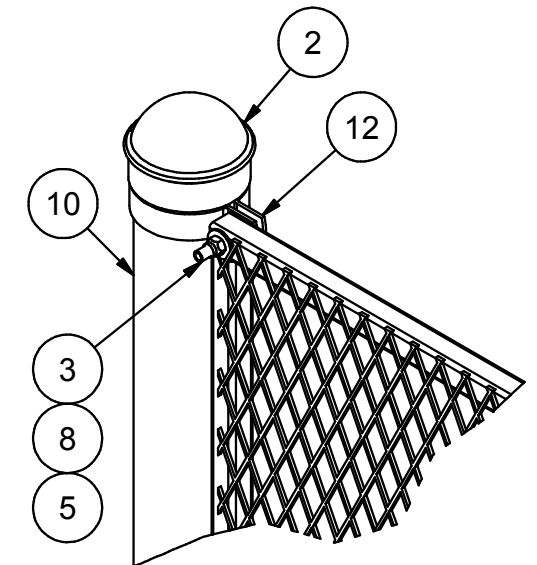


DETAIL C
SCALE 1/10



DETAIL A
SCALE 1/10



DETAIL B
SCALE 1/6

FINISHED WEIGHT 239.188 lbmass

| PARTS LIST | | | |
|------------|-----|-------------|------------------------------------|
| ITEM | QTY | PART NUMBER | DESCRIPTION |
| 1 | 2 | 101151787 | 1/2"-13 X 12" THREADED ROD |
| 2 | 2 | 401655773 | 3.5" I.D. GALVANIZED ROUND ENDCAP |
| 3 | 4 | 501-6-16-40 | BOLT, CARRIAGE 3/8-16 UNC X 2.5 |
| 4 | 2 | 502-8-13-72 | HEX BOLT, 1/2-13 UNC X 4.5 |
| 5 | 4 | 545-6-16Z | HEX NUT, NYLON LOCK 3/8-16 |
| 6 | 2 | 545-8-13 | HEX NUT, NYLON LOCK 1/2-13 |
| 7 | 4 | 548-8-13 | HEX NUT, SERRATED FLANGE 1/2-13 |
| 8 | 4 | 561-6 | FLAT WASHER 3/8 |
| 9 | 2 | 955801003 | WING WELDMENT, 4' X 18", FOUL POLE |
| 10 | 2 | 955801007 | POLE WELDMENT, 12' WING |
| 11 | 2 | 955801023 | BASE POLE, 20' |
| 12 | 4 | AAB35-3 | CLASP, POST, 3.5 I.D. X 1" WIDE |

NOTE: QTYS SHOWN ARE FOR ONE PAIR OF FOUL POLES

UNLESS OTHERWISE SPECIFIED
DIMENSIONS ARE IN INCHES
[XX.XX] DIMENSIONS ARE IN MM
TOLERANCES ARE:
.X ± 0.060 [1.50 mm]
.XX ± 0.030 [0.75 mm]
.XXX ± 0.010 [0.25 mm]
ANGLES
X. = 1°
X.X = 1/2°

THIRD ANGLE PROJECTION



Gared Holdings, LLC
9200 E. 146th St. Noblesville, IN 46060

THIS DOCUMENT CONTAINS TRADE SECRET AND OTHER MATERIALS WHICH ARE PROTECTED BY CONFIDENTIALITY NOTICE AND AGREEMENT AND BY COPYRIGHT. ANY USE OR COPYING OF THIS DOCUMENT EXCEPT AS AUTHORIZED BY GARED HOLDINGS, LLC IS STRICTLY PROHIBITED.

| FOUL POLE 12' WITH 4" WING | | | | | |
|----------------------------|-------------------------------|----------|------------|----------|----------------|
| DRAWN | CROSBY | DATE | 2/2/2016 | MATERIAL | SEE PARTS LIST |
| APPROVED | | DATE | | FINISH | |
| FILE LOC. | Q:\Inventor Files\950,000,000 | | | DWG. NO. | |
| SIZE | SCALE | SHT. NO. | PART NO. | REV | |
| B | | 1 OF 1 | BSPOLE-12P | | |

| REV | BY | DATE | ECN | REVISION DESCRIPTION |
|-----|----|------|-----|----------------------|
| | | | | |