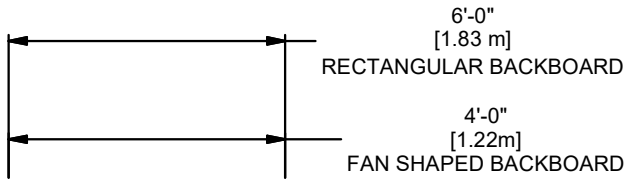
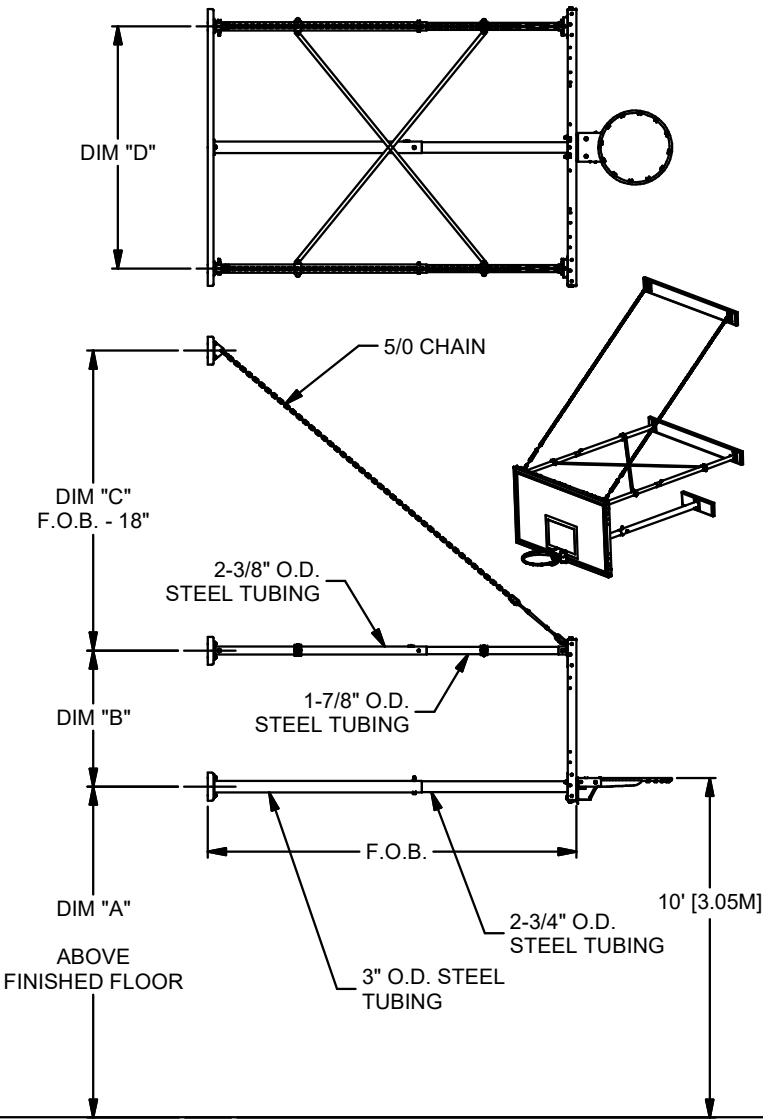


UNITS INSTALLED WITHOUT HEIGHT ADJUSTER			
	DIM "A"	DIM "B"	DIM "D"
Rectangular			
LXP 4200	9'-9 5/8" (2.99M)	2'-11 1/2" (0.90M)	63" [1.60 m]
AFRG 42	9'-10 1/16" (3.00M)	2'-11" (0.89M)	63" [1.60 m]
1442B	9'-8 5/16" (2.95M)	2'-11 3/8" (0.90M)	63" [1.60 m]
AFRG48	9'-8 9/16" (2.96M)	3'-0" (0.91M)	63" [1.60 m]
RG	9'-8 9/16" (2.96M)	3'-0" (0.91M)	63" [1.60 m]
Fan			
1301B	9'-8 11/16" (2.96M)	2'-1" (0.64M)	35" [0.81 m]
1342B	9'-8 11/16" (2.96M)	2'-1" (0.64M)	35" [0.89 m]
1750B	9'-8 3/16" (2.95M)	1'-9 1/4" (0.54M)	35" [0.89 m]
1245T	9'-8 5/16" (2.95M)	1'-9 1/2" (0.55M)	35" [0.89 m]
1272B	9'-8 3/16" (2.95M)	2'-0 1/4" (0.62M)	35" [0.89 m]

UNITS INSTALLED WITH HEIGHT ADJUSTER			
	DIM "A"	DIM "B"	DIM "D"
Rectangular			
LXP 4200	10'-0 15/16" (3.07M)	3'-4 1/8" (1.02M)	63" [1.60 m]
AFRG 42	10'-1 1/2" (3.09M)	3'-4 1/8" (1.02M)	63" [1.60 m]
1442B	10'-0 15/16" (3.07M)	3'-4 1/8" (1.02M)	63" [1.60 m]
AFRG48	9'-11 9/16" (3.04M)	3'-4 1/8" (1.02M)	63" [1.60 m]
RG	9'-11 9/16" (3.04M)	3'-4 1/8" (1.02M)	63" [1.60 m]
Fan			
1301B	9'-11 15/16" (3.05M)	3'-4 1/8" (1.02M)	35" [0.89 m]
1342B	9'-11 15/16" (3.05M)	3'-4 1/8" (1.02M)	35" [0.89 m]
1750B	9'-11 1/2" (3.04M)	3'-4 1/8" (1.02M)	35" [0.89 m]
1245T	9'-11 1/2" (3.04M)	3'-4 1/8" (1.02M)	35" [0.89 m]
1272B	9'-11 1/2" (3.04M)	3'-4 1/8" (1.02M)	35" [0.89 m]

MODEL	FACE OF BANK RANGE	
	W/O HEIGHT ADJ	WITH HEIGHT ADJ
2350-2030	2'-0" TO 3'-0"	2'-8" TO 3'-8"
2350-2034	2'-0" TO 3'-0"	2'-8" TO 3'-8"
2350-3040	3'-0" TO 4'-0"	3'-8" TO 4'-8"
2350-3044	3'-0" TO 4'-0"	3'-8" TO 4'-8"
2350-4060	4'-0" TO 6'-0"	4'-8" TO 6'-8"
2350-4064	4'-0" TO 6'-0"	4'-8" TO 6'-8"
2350-6090	6'-0" TO 9'-0"	6'-8" TO 9'-8"
2350-6094	6'-0" TO 9'-0"	6'-8" TO 9'-8"
2350-9120	9'-0" TO 12'-0"	9'-8" TO 12'-8"
2350-9124	9'-0" TO 12'-0"	9'-8" TO 12'-8"

ALL UNITS ARE IN: FEET & INCHES [METERS]



⚠ WARNING
 Use only anchors rated for minimum of 5 times wall loads listed for the unit. Incorrect anchors can fail causing unit to fall resulting in damage and serious injury or death.

⚠ WARNING
 Unit must only be installed on walls approved for its rated loads by architect or structural engineer. Failure to attach to approved wall structure can cause unit to fall resulting in serious injury or death.

NOTE: FOR UNITS OVER 12' [3.66m] F.O.B., REFER TO INSTALLATION INSTRUCTIONS SUPPLIED WITH THE PRODUCT. IF INSTRUCTIONS ARE NOT AVAILABLE, CONTACT THE MANUFACTURER FOR CORRECT DIMENSIONS.

FOR UNIT WITH AN F.O.B. OF 0' TO 2', CONTACT MANUFACTURER FOR SPECIFIC DIMENSIONS AND LOADS

K	07/19/21	WDC
G	12/14/18	JJC
F	09/20/17	JJC
E	03/10/15	WDC
REV	BY	DATE



Gared Holdings, LLC
 9200 E. 146th St. Noblesville, IN 46060

THIS DOCUMENT CONTAINS TRADE SECRET AND OTHER MATERIALS WHICH ARE PROTECTED BY CONFIDENTIALITY NOTICE AND AGREEMENT AND BY COPYRIGHT. ANY USE OR COPYING OF THIS DOCUMENT EXCEPT AS AUTHORIZED BY GARED HOLDINGS, LLC IS STRICTLY PROHIBITED.

WALL MOUNT, 3 POINT STATIONARY

DRAWN CONNERLEY	DATE 12/14/2018	DATE ISSUED
APPROVED	DATE	

FILE LOC. Q:\Inventor Files\Specification Files\05_Wall Mounts

SIZE A	SCALE	SHT. NO. 1 OF 2	PART NO. 2350	REV K
------------------	-------	--------------------	-------------------------	-----------------



MODEL 2350

ADJUSTABLE 3 POINT STATIONARY WALL MOUNT STRUCTURE FOR EXTENSIONS 2'-0" TO 12'-0"

RECOMMENDED APPLICATION

This unit is designed for applications allowing for mounting the backstop to the wall. The adjustable stationary wall mount can extend from 2'-0" to 12'-0".

SPECIFICATIONS

WALL ATTACHMENT

Unit shall be attached to 2 x 8 (1.5" x 7.25") clear coated #2 Southern Yellow Pine wood pads. Units will be additionally supported by 5/0 chain fastened at the front of the unit and attached to a wood pad mounted on the wall. Wood pads will be mounted on an 8" minimum solid core concrete block wall or wall of similar integrity which has been approved by a structural engineer to carry the loads. All critical fittings shall be heavy gauge steel stampings or weldments.

Wall anchors are not included. Through bolting of the wood pads to the wall is recommended; however, when through bolting is not feasible, anchors must be rated for a minimum of 5 times the loads shown for the unit being installed.

BACKSTOP

The backstop shall be supplied with three telescopic extension members spaced at 63" centers for a standard application and 35" centers for fan shaped backboards. The single lower extension member constructed of 2-3/4" O.D. tubing telescoped inside a 3" O.D. tube. The two upper extension members are constructed with 1-7/8" O.D. tubing telescoped inside 2-1/8" O.D. tubes. Extensions of 4'-0" and greater utilize a 1/4" x 1" tension straps for added stiffness. The Lower extension arm utilizes a direct goal attachment to transfer the stress of heavy play to the support structure. . All critical fittings shall be malleable iron castings, heavy gauge steel stampings, or weldments.

Backstop manufactured in accordance with 2018 NCAA rule 1, section 12, art 2, stating that all backboard support systems shall be at least 6" behind backboard. Backstop will be furnished with standard black finish. Optional colors are available.

ACCESSORIES

BACKBOARDS AND GOALS

All PSS and/or Gared backboards and goals are available on this unit.

BANK PADDING

See the accessories section in the specification manual.

HEIGHT ADJUSTER

Height adjusters are available for adjusting board heights between 8' and 10' for both rectangular and fan shaped backboards.

Model 1131 – Manual Height Adjuster

Model 1171 – Electric Height Adjuster

Subject to design change and current manufacturing practices.

⚠WARNING

Unit must only be installed on walls approved for its rated loads by architect or structural engineer.

Failure to attach to approved wall structure can cause unit to fall resulting in serious injury or death.

⚠WARNING

Use only anchors rated for minimum of 5 times wall loads listed for the unit.

Incorrect anchors can fail causing unit to fall resulting in damage and serious injury or death.