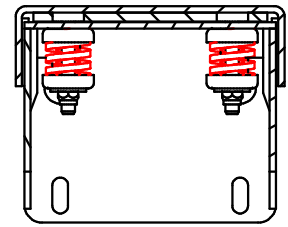


POSITIVE LOCK DETENT MECHANISM



DUAL RETURN SPRINGS

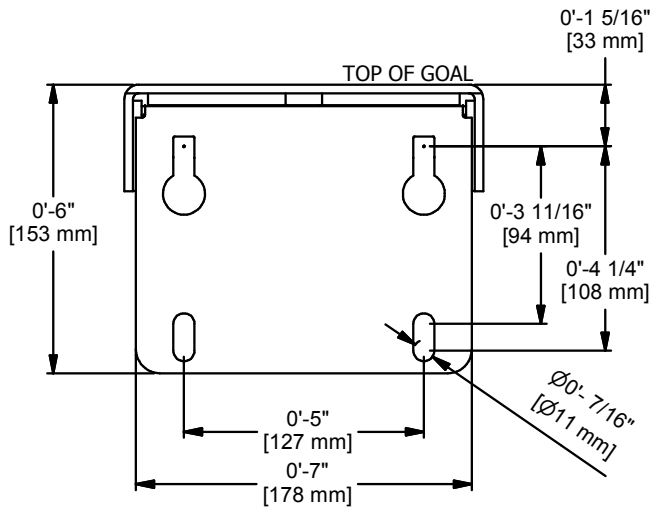
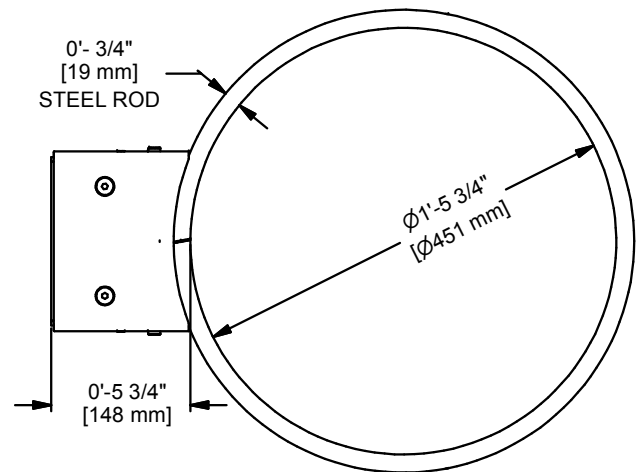
FULL WRAP WING BRACE

WELDED STEEL CONSTRUCTION.

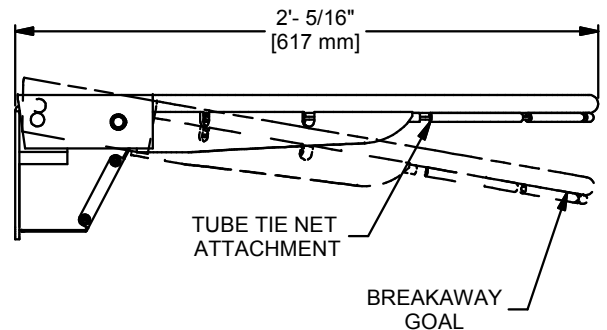
FINISH IS OFFICIAL ORANGE POWDER COAT

GOAL IS SUPPLIED WITH ANTI-WHIP NYLON NET AND MOUNTING HARDWARE

SHIPPING WEIGHT 25 LBS [11.3 Kg]



MOUNTING PLATE VIEW



TUBE TIE NET ATTACHMENT

BREAKAWAY GOAL



Gared Holdings, LLC
9200 E. 146th St. Noblesville, IN 46060

THIS DOCUMENT CONTAINS TRADE SECRET AND OTHER MATERIALS WHICH ARE PROTECTED BY CONFIDENTIALITY NOTICE AND AGREEMENT AND BY COPYRIGHT. ANY USE OR COPYING OF THIS DOCUMENT EXCEPT AS AUTHORIZED BY GARED HOLDINGS, LLC IS STRICTLY PROHIBITED.

INT'L TOURNAMENT GOAL, BREAKAWAY

DRAWN	CROSBY	DATE	8/12/2019	DATE ISSUED
APPROVED		DATE		

FILE LOC. Q:\Inventor Files\Specification Files\08_Goals

SIZE	SCALE	SHT. NO.	PART NO.	REV
A	NONE	1 OF 2	2500I	D

D	WDC	08-12-19
REV	BY	DATE



MODEL 2500-I

INTERNATIONAL TOURNAMENT BREAK-AWAY GOAL

The 2500-I goal shall be constructed with an enclosed positive lock mechanism. Goal shall be designed so that any possible entrapment areas have been eliminated. Goal shall have official FIBA size 17.75" ring of 3/4" diameter steel with tube tie net attachment and a durable orange powder coated finish. Anti-whip net and hardware shall be included. Universal back plate shall accommodate most 42" and 48" rectangular and fan shape backboards.

ACCESSORIES

BACKBOARDS

See Goal-Board Matrix specification sheet for board compatibility.

Subject to design change and current manufacturing practices.